

OPERATOR'S MANUAL



Model 432 Shake/Slush Freezer

Original Operating Instructions

053081-M

10/98 (Original Publication)
(Updated 8/14/14)

Complete this page for quick reference when service is required:

Taylor Distributor: _____

Address: _____

Phone: _____

Service: _____

Parts: _____

Date of Installation: _____

Information found on the data label:

Model Number: _____

Serial Number: _____

Electrical Specs: Voltage _____ Cycle _____

Phase _____

Maximum Fuse Size: _____ A

Minimum Wire Ampacity: _____ A

© 1998 Carrier Commercial Refrigeration, Inc.

053081-M

Any unauthorized reproduction, disclosure, or distribution of copies by any person of any portion of this work may be a violation of Copyright Law of the United States of America and other countries, could result in the awarding of Statutory Damages of up to \$250,000 (17 USC 504) for infringement, and may result in further civil and criminal penalties.

All rights reserved.



Taylor Company
a division of Carrier Commercial Refrigeration, Inc.
750 N. Blackhawk Blvd.
Rockton, IL 61072

Table of Contents

Section 1	To the Installer	1
	Installer Safety	1
	Site Preparation	1
	Air Cooled Units	1
	Electrical Connections	2
	Beater Rotation	2
	Refrigerant	3
Section 2	To the Operator	4
Section 3	Safety	5
Section 4	Operator Parts Identification	7
	Model 432	7
	Beater Door Assembly	8
	Accessories	10
Section 5	Important: To the Operator	11
	Control Switch (Item 1)	11
	Push- Button Switch (Item 2)	11
	Display Light Switch (Item 3)	11
	Indicator Light - "Mix Out" (Item 4)	12
	Indicator Light - "Add Mix" (Item 5)	12
	Viscosity Adjustment (Item 6)	12
Section 6	Operating Procedures	13
	Assembly	13
	Sanitizing	17
	Priming	18
	Closing Procedure	18
	Draining Product From The Freezing Cylinder	18
	Rinsing	19
	Cleaning	19

Disassembly	19
Brush Cleaning	20
Section 7 Important: Operator Checklist	21
During Cleaning and Sanitizing:	21
Troubleshooting Bacterial Count:	21
Regular Maintenance Checks:	21
Winter Storage	22
Section 8 Troubleshooting Guide	23
Section 9 Parts Replacement Schedule	25
Section 10 Limited Warranty on Equipment	26
Section 11 Limited Warranty on Parts	28
Section 12 Parts List	31
Wiring Diagrams	36

Note: Continuing research results in steady improvements; therefore, information in this manual is subject to change without notice.

Note: Only instructions originating from the factory or its authorized translation representative(s) are considered to be the original set of instructions.

© 1998 Carrier Commercial Refrigeration, Inc. (Original Publication)

(Updated August, 2014)

053081-M

Any unauthorized reproduction, disclosure, or distribution of copies by any person of any portion of this work may be a violation of Copyright Law of the United States of America and other countries, could result in the awarding of Statutory Damages of up to \$250,000 (17 USC 504) for infringement, and may result in further civil and criminal penalties.

All rights reserved.



Taylor Company
a division of Carrier Commercial Refrigeration, Inc.
750 N. Blackhawk Blvd.
Rockton, IL 61072

Section 1

To the Installer

The following information has been included in the manual as safety and regulatory guidelines. For complete installation instructions, please see the Installation Checklist.

Installer Safety



In all areas of the world, equipment should be installed in accordance with existing local codes. Please contact your local authorities if you have any questions.

Care should be taken to ensure that all basic safety practices are followed during the installation and servicing activities related to the installation and service of Taylor equipment.

- Only authorized Taylor service personnel should perform installation and repairs on the equipment.
- Authorized service personnel should consult OSHA Standard 29CFR1910.147 or the applicable code of the local area for the industry standards on lockout/tagout procedures before beginning any installation or repairs.
- Authorized service personnel must ensure that the proper PPE is available and worn when required during installation and service.
- Authorized service personnel must remove all metal jewelry, rings, and watches before working on electrical equipment.



The main power supply(s) to the freezer must be disconnected prior to performing any repairs. Failure to follow this instruction may result in personal injury or death from electrical shock or hazardous moving parts as well as poor performance or damage to the equipment.

Note: All repairs must be performed by an authorized Taylor Service Technician.



This unit has many sharp edges that can cause severe injuries.

Site Preparation

Review the area where the unit will be installed before uncrating the unit. Make sure that all possible hazards to the user and the equipment have been addressed.

For Indoor Use Only: This unit is designed to operate indoors, under normal ambient temperatures of 70°-75°F (21°-24°C). The freezer has successfully performed in high ambient temperatures of 104° (40°C) at reduced capacities.



This unit must **NOT** be installed in an area where a water jet or hose can be used. **NEVER** use a water jet or hose to rinse or clean the unit. Failure to follow this instruction may result in electrocution.



This unit must be installed on a level surface to avoid the hazard of tipping. Extreme care should be taken in moving this equipment for any reason. Two or more persons are required to safely move this unit. Failure to comply may result in personal injury or equipment damage.

Uncrate the unit and inspect it for damage. Report any damage to your Taylor Distributor.

This piece of equipment is made in the USA and has USA sizes of hardware. All metric conversions are approximate and vary in size.

Air Cooled Units

DO NOT obstruct air intake and discharge openings:

A minimum of 6" (152 mm) on both sides and 0" on the back is required. Failure to follow this instruction may cause poor freezer performance and damage to the machine.

Electrical Connections

This unit must be plugged into a properly grounded receptacle. The cord and plug must be sized for 20 Amp usage. The voltage specifications are 208-230/60/1. Follow specifications listed on your data plate.



In the United States, this equipment is intended to be installed in accordance with the National Electrical Code (NEC), ANSI/NFPA 70-1987. The purpose of the NEC code is the practical safeguarding of persons and property from hazards arising from the use of electricity. This code contains provisions considered necessary for safety. Compliance therewith and proper maintenance will result in an installation essentially free from hazard!

In all other areas of the world, equipment should be installed in accordance with the existing local codes. Please contact your local authorities.

Each unit requires one power supply for each data label on the unit. Check the data label(s) on the freezer for branch circuit overcurrent protection or fuse, circuit ampacity, and other electrical specifications. Refer to the wiring diagram provided inside of the electrical box for proper power connections.



CAUTION: THIS EQUIPMENT MUST BE PROPERLY GROUNDED! FAILURE TO DO SO CAN RESULT IN SEVERE PERSONAL INJURY FROM ELECTRICAL SHOCK!



This unit is provided with an equipotential grounding lug that is to be properly attached to the rear of the frame by the authorized installer. The installation location is marked by the equipotential bonding symbol (5021 of IEC 60417-1) on both the removable panel and the equipments frame.



- Stationary appliances which are not equipped with a power cord and a plug or another device to disconnect the appliance from the power source must have an all-pole disconnecting device with a contact gap of at least 3 mm installed in the external installation.
- Appliances that are permanently connected to fixed wiring and for which leakage currents may exceed 10 mA, particularly when disconnected or not used for long periods, or during initial installation, shall have protective devices such as a GFI, to protect against the leakage of current, installed by the authorized personnel to the local codes.
- Supply cords used with this unit shall be oil-resistant, sheathed flexible cable not lighter than ordinary polychloroprene or other equivalent synthetic elastomer-sheathed cord (Code designation 60245 IEC 57) installed with the proper cord anchorage to relieve conductors from strain, including twisting, at the terminals and protect the insulation of the conductors from abrasion.

If the supply cord is damaged, it must be replaced by an authorized Taylor service technician in order to avoid a hazard.

Beater Rotation



Beater rotation must be clockwise as viewed looking into the freezing cylinder.

Note: The following procedures must be performed by an authorized Taylor service technician.

To correct rotation on a single-phase unit, change the leads inside the beater motor. (Follow the diagram printed on motor.)

Refrigerant



In consideration of our environment, Taylor uses only HFC refrigerants. The HFC refrigerant used in this unit is R404A. This refrigerant is generally considered non-toxic and non-flammable, with an Ozone Depleting Potential (ODP) of zero (0).

However, any gas under pressure is potentially hazardous and must be handled with caution.

NEVER fill any refrigerant cylinder completely with liquid. Filling the cylinder to approximately 80% will allow for normal expansion.



Use only R404A refrigerant that conforms to the AHRI standard 700 specification. The use of any other refrigerant may expose users and operators to unexpected safety hazards.



Refrigerant liquid sprayed onto the skin may cause serious damage to tissue. Keep eyes and skin protected. If refrigerant burns should occur, flush immediately with cold water. If burns are severe, apply ice packs and contact a physician immediately.



Taylor reminds technicians to be aware of and in compliance with local government laws regarding refrigerant recovery, recycling, and reclaiming systems. For information regarding applicable local laws, please contact your local authorized Taylor distributor.



WARNING: R404A refrigerants used in conjunction with polyolester oils are extremely moisture absorbent. When opening a refrigeration system, the maximum time the system is open must not exceed 15 minutes. Cap all open tubing to prevent humid air or water from being absorbed by the oil.

Section 2

To the Operator

The freezer you have purchased has been carefully engineered and manufactured to give you dependable operation. The Taylor Model 432, when properly operated and cared for, will produce a consistent quality product. Like all mechanical products, they will require cleaning and maintenance. A minimum amount of care and attention is necessary if the operating procedures outlined in this manual are followed closely.

This Operator's Manual should be read before operating or performing any maintenance on your equipment.

Your Taylor freezer will NOT eventually compensate for and correct any errors during the set-up or filling operations. Thus, the initial assembly and priming procedures are of extreme importance. It is strongly recommended that personnel responsible for the equipment's operation, both assembly and disassembly, sit down together and go through these procedures in order to be properly trained and to make sure that no misunderstandings exist.

In the event you should require technical assistance, please contact your local authorized Taylor Distributor.

Your Taylor warranty is valid only if the parts are authorized Taylor parts, purchased from the local authorized Taylor Distributor, and only if all required service work is provided by an authorized Taylor service technician. Taylor reserves the right to deny warranty claims on units or parts if non-Taylor approved parts or incorrect refrigerant were installed in the unit, system modifications were performed beyond factory recommendations, or it is determined that the failure was caused by abuse, misuse, neglect, or failure to follow all operating instructions. For full details of your Taylor Warranty, please see the Limited Warranty section in this manual.

Note: Constant research results in steady improvements; therefore, information in this manual is subject to change without notice.



If the crossed out wheeled bin symbol is affixed to this product, it signifies that this product is compliant with the EU Directive as well as other similar legislation in effect after August 13, 2005. Therefore, it must be collected separately after its use is completed, and cannot be disposed as unsorted

municipal waste. The user is responsible for returning the product to the appropriate collection facility, as specified by your local code.

For additional information regarding applicable local laws, please contact the municipal facility and/or local distributor.

Compressor Warranty Disclaimer

The refrigeration compressor(s) on this unit are warranted for the term stated in the Limited Warranty section in this manual. However, due to the Montreal Protocol and the U.S. Clean Air Act Amendments of 1990, many new refrigerants are being tested and developed, thus seeking their way into the service industry. Some of these new refrigerants are being advertised as drop-in replacements for numerous applications. It should be noted that in the event of ordinary service to this unit's refrigeration system, **only the refrigerant specified on the affixed data label should be used.** The unauthorized use of alternate refrigerants will void your Taylor compressor warranty. It is the unit owner's responsibility to make this fact known to any technician he employs.

It should also be noted that Taylor does not warrant the refrigerant used in its equipment. For example, if the refrigerant is lost during the course of ordinary service to this unit, Taylor has no obligation to either supply or provide replacement refrigerant either at billable or unbillable terms. Taylor will recommend a suitable replacement if the original refrigerant is banned, obsoleted, or no longer available during the five (5) year Taylor warranty of the compressor.

From time-to-time Taylor may test new refrigerant alternates. Should a new refrigerant alternate prove, through Taylor's testing, that it would be accepted as a drop-in replacement for this unit, then the disclaimer in this "Compressor Warranty Disclaimer" section will not apply to the use of the alternate refrigerant approved by Taylor.

To find out the current status of an alternate refrigerant as it relates to your compressor warranty, call Taylor or your local authorized Taylor distributor. Be prepared to provide the Model/Serial Number of the unit in question.

Note: Continuing research results in steady improvements; therefore, information in this Operator Manual is subject to change without notice.

We, at Taylor Company, are concerned about the safety of the operator at all times when they are coming in contact with the unit and its parts. Taylor makes every effort to design and manufacture built-in safety features to protect both operators and service technicians.

Installing and servicing refrigeration equipment can be hazardous due to system pressure and electrical components. Only trained and qualified service personnel should install, repair, or service refrigeration equipment. When working on refrigeration equipment, observe precautions noted in the literature, tags and labels attached to the unit, and other safety precautions that may apply. Follow all safety code requirements. Wear safety glasses and work gloves.



IMPORTANT - Failure to adhere to the following safety precautions may result in severe personal injury or death. Failure to comply with these warnings may also damage the unit and/or its components. Such damage may result in component replacement and service repair expenses.



DO NOT operate the unit without reading this entire Operator Manual first. Failure to follow all of these operating instructions may result in damage to the unit, poor performance, health hazards, personal injury, or death.



This unit is to be used only by trained personnel. It is not intended for use by children or people with reduced physical, sensory, or mental capabilities, or lack of experience and knowledge. Where limited equipment operation is allowed for public use, such as a self-serve application, supervision or instruction concerning the use of the appliance by a person responsible for their safety is required. Children should be supervised to ensure that they do not play with the appliance.



- All repairs should be performed by an authorized Taylor service technician.
- The main power supplies to the unit must be disconnected prior to performing installation, repairs, or maintenance.
- **DO NOT** operate the unit unless it is properly grounded.
- **DO NOT** operate the unit with larger fuses than specified on the unit's data label.
- Units that are permanently connected to fixed wiring and for which leakage currents may exceed 10 mA, particularly when disconnected or not used for long periods, or during initial installation, shall have protective devices such as a GFI, to protect against the leakage of current, installed by the authorized personnel to the local codes.
- Stationary units which are not equipped with a power cord and a plug or another device to disconnect the appliance from the power source must have an all-pole disconnecting device with a contact gap of at least 3 mm installed in the external installation.
- Supply cords used with this unit shall be oil-resistant, sheathed flexible cable not lighter than ordinary polychloroprene or other equivalent synthetic elastomer-sheathed cord (Code designation 60245 IEC 57) installed with the proper cord anchorage to relieve conductors from strain, including twisting, at the terminals and protect the insulation of the conductors from abrasion.

If the supply cord is damaged, it must be replaced by an authorized Taylor service technician in order to avoid a hazard.

Failure to follow these instructions may result in electrocution. Contact your local authorized Taylor Distributor for service.



An equipotential grounding lug is provided with this unit. Some countries require the grounding lug be properly attached to the rear of the frame by the authorized installer. The installation location is marked by the equipotential bonding symbol (5021 of IEC 60417-1) on both the removable panel and the unit's frame.



DO NOT use a water jet to clean or rinse the unit. Failure to follow these instructions may result in serious electrical shock.



- **DO NOT** allow untrained personnel to operate this machine.
- **DO NOT** operate the freezer unless all service panels and access doors are restrained with screws.
- **DO NOT** remove any internal operating parts (examples: freezer door, beater, scraper blades, etc.) unless all control switches are in the OFF position.

Failure to follow these instructions may result in severe personal injury to fingers or hands from hazardous moving parts.



This unit has many sharp edges that can cause severe injuries.

- **DO NOT** put objects or fingers in the door spout. This may contaminate the product and cause severe personal injury from blade contact.
- **USE EXTREME CAUTION** when removing the beater assembly. The scraper blades are very sharp.



This unit must be placed on a level surface. Extreme care should be taken when moving the unit for any reason. Two or more persons are required to safely move this unit. Failure to comply may result in personal injury or damage to the unit.



Access to the service area of the unit must be restricted to persons having knowledge and practical experience with the unit, in particular as far as safety and hygiene are concerned.



Cleaning and sanitizing schedules are governed by your state or local regulatory agencies and must be followed accordingly. Please refer to the cleaning section of this Operator Manual for the proper procedure to clean this unit.



This unit is designed to maintain product temperature under 41°F (5°C). Any product being added to this unit must be below 41°F (5°C). Failure to follow this instruction may result in health hazards and poor freezer performance.

DO NOT obstruct air intake and discharge openings:

A minimum of 6" (152 mm) on both sides and 0" on the back is required. Failure to follow this instruction may cause poor freezer performance and damage to the machine.

For Indoor Use Only: This unit is designed to operate indoors, under normal ambient temperatures of 70° - 75°F (21° - 24°C). The freezer has successfully performed in high ambient temperatures of 104° (40°C) at reduced capacities.

DO NOT run the unit without product. Failure to follow this instruction can result in damage to the unit.

NOISE LEVEL: Airborne noise emission does not exceed 78 dB(A) when measured at a distance of 1.0 meter from the surface of the machine and at a height of 1.6 meters from the floor.

Section 4

Operator Parts Identification

Model 432

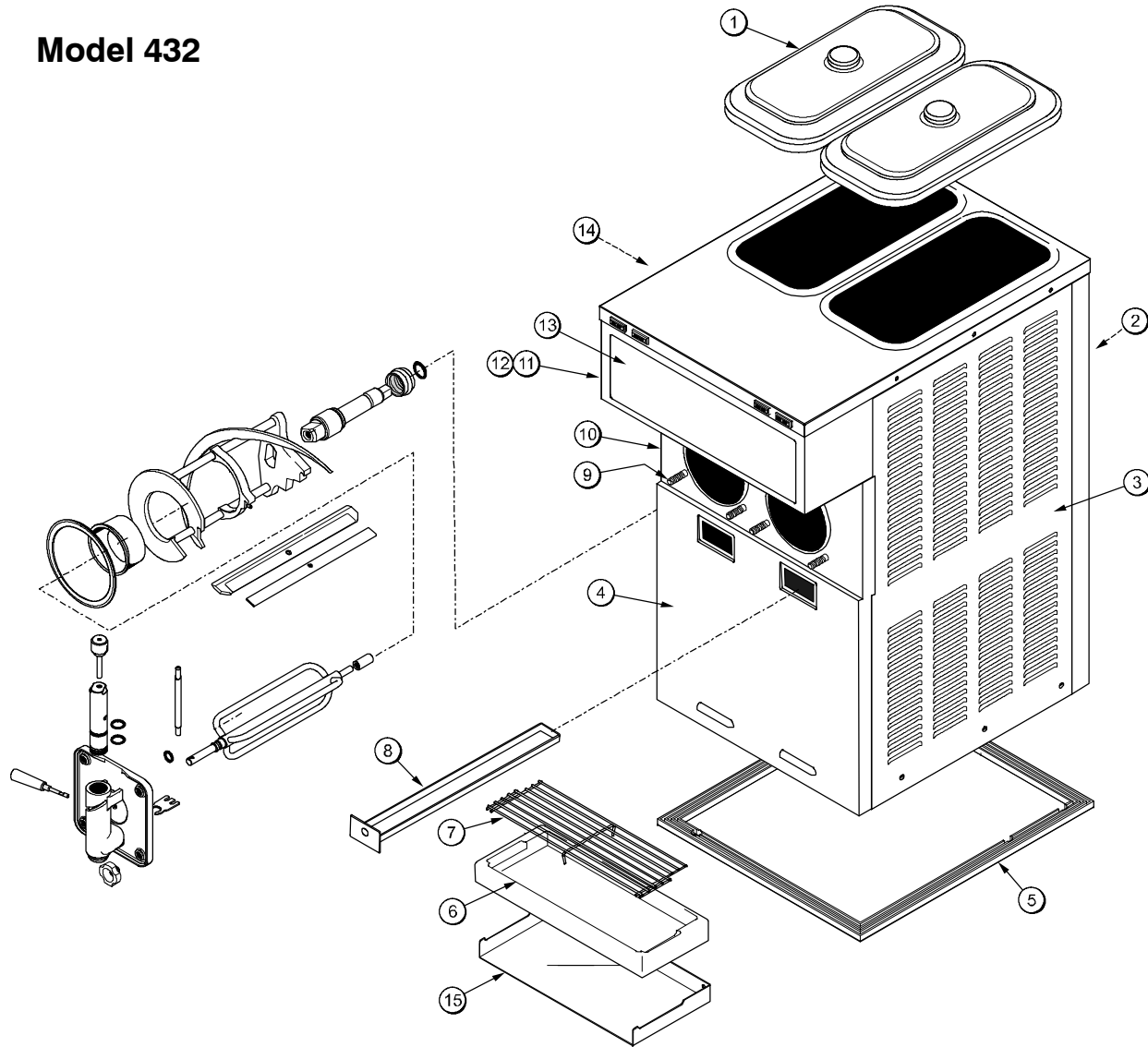


Figure 1

ITEM	DESCRIPTION	PART NO.
1	COVER A.-HOPPER	X52452
2	PANEL-REAR	052363
3	PANEL-SIDE-RIGHT-LOUVERED	052527
4	PANEL-FRONT-LOWER	052361
5	GASKET-BASE PAN	052377
6	TRAY A.-DRIP	X46848
7	SHIELD-SPLASH	046851
8	PAN-DRIP 17-1/4" LONG	027504

ITEM	DESCRIPTION	PART NO.
9	STUD-NOSE CONE	013496
10	PANEL-FRONT-UPPER	052360
*10a	GASKET-INSULATOR	052617
11	BULB-LIGHT-FLORESCENT	045445
12	BRACKET-LIGHT	052243
13	LENS-DECORATIVE PLATE	052359
14	PANEL-SIDE-LEFT	052362
15	SHELF-DRIP TRAY	052065

*NOT SHOWN

Beater Door Assembly

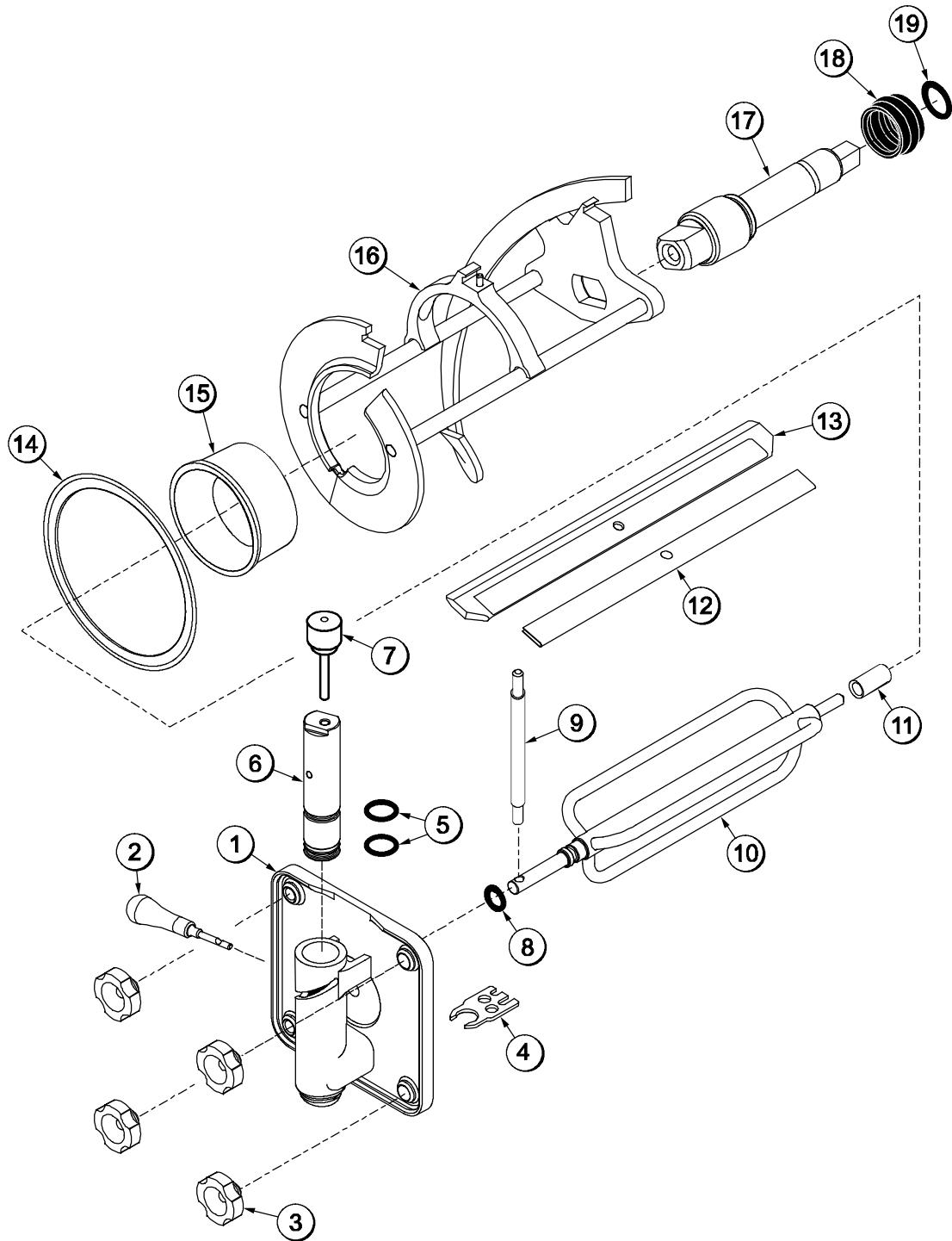


Figure 2

Beater Door Assembly Parts Identification

ITEM	DESCRIPTION	PART NO.
1	DOOR A. - PARTIAL	X39248
2	HANDLE A. DRAW	X47384
3	NUT-STUD	029880
4	BUSTER - ICE	047735
5	O-RING - 1" OD X .139 W	032504
6	VALVE DRAW - SLUSH - ICE BUSTER	047734
7	VALVE A. - HANDLE PIN	X25929
8	O-RING - .291 OD X .080 W	018550
9	ARM - TORQUE	052450
10	TORQUE ASSEMBLY	X50382

ITEM	DESCRIPTION	PART NO.
11	BEARING - GUIDE	014496
12	CLIP - SCRAPER BLADE	046238
13	BLADE - SCRAPER PLASTIC	046237
14	GASKET - DOOR 5.109" ID X 5.630	014030
15	BEARING - FRONT	013116
16	BEATER A. - 4 QT. 1 PIN	X49490
17	SHAFT - BEATER	035418
18	SEAL - DRIVE SHAFT	032560
19	O-RING 7/8 OD X .139 W	025307

Accessories

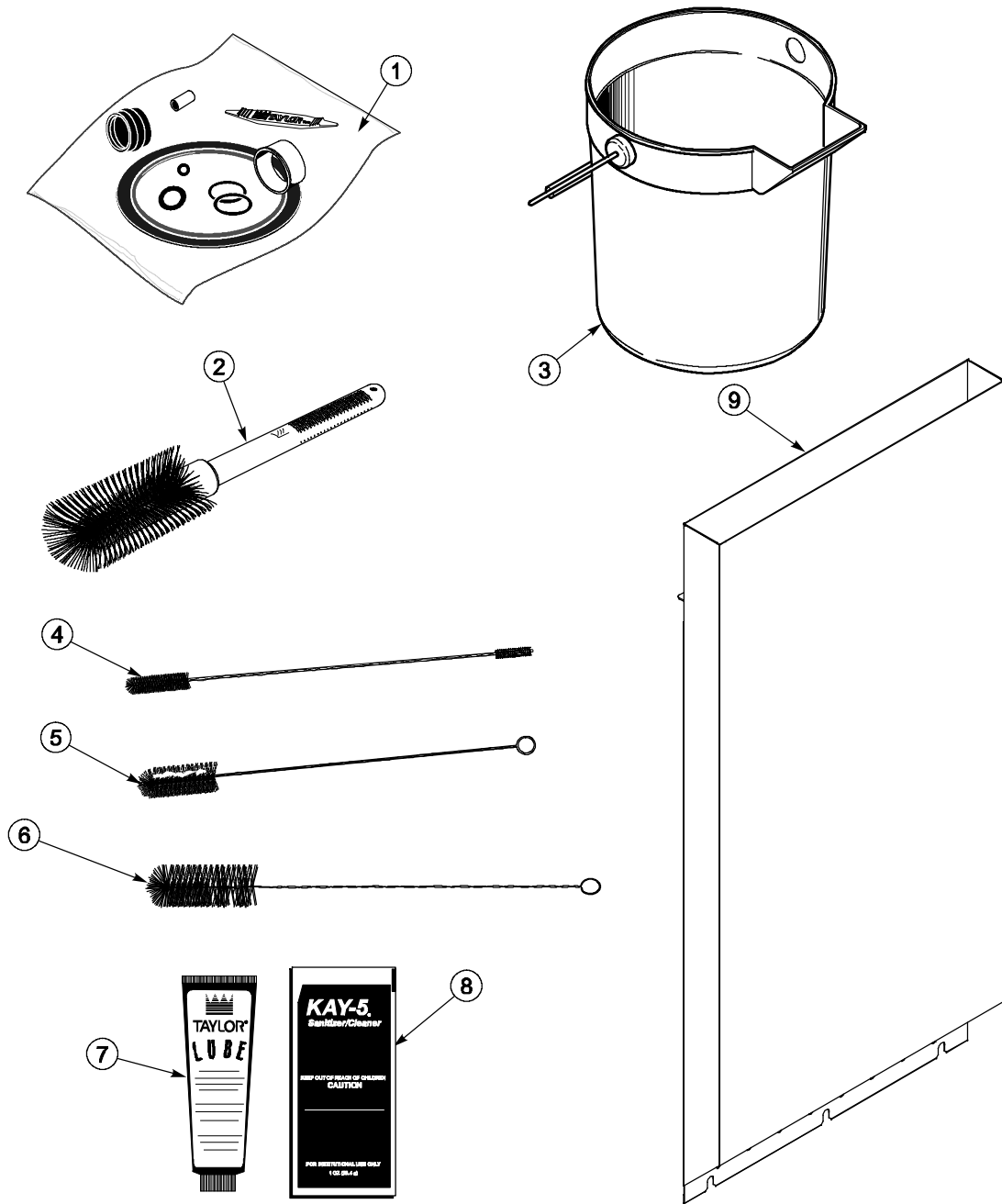


Figure 3

ITEM	DESCRIPTION	PART NO.
1	KIT A.- TUNE UP	X39969
2	BRUSH- MIX PUMP 3" X 7"	023316
3	PAIL- 10 QT.	013163
4	BRUSH- DOUBLE ENDED	013072
5	BRUSH- REAR BEARING 1 X 2	013071

ITEM	DESCRIPTION	PART NO.
6	BRUSH- DRAW VALVE 1- 1/2X3	014753
7	LUBRICANT- TAYLOR	047518
8	SANITIZER- KAY- 5 (125 PKTS)	041082
*9	PANEL A.- AIR GUIDE	X52521

*PRIOR TO S/N J8070000.
(NOTE: OPTIONAL FIELD KIT X52633 J8070000/UP)

Section 5

Important: To the Operator

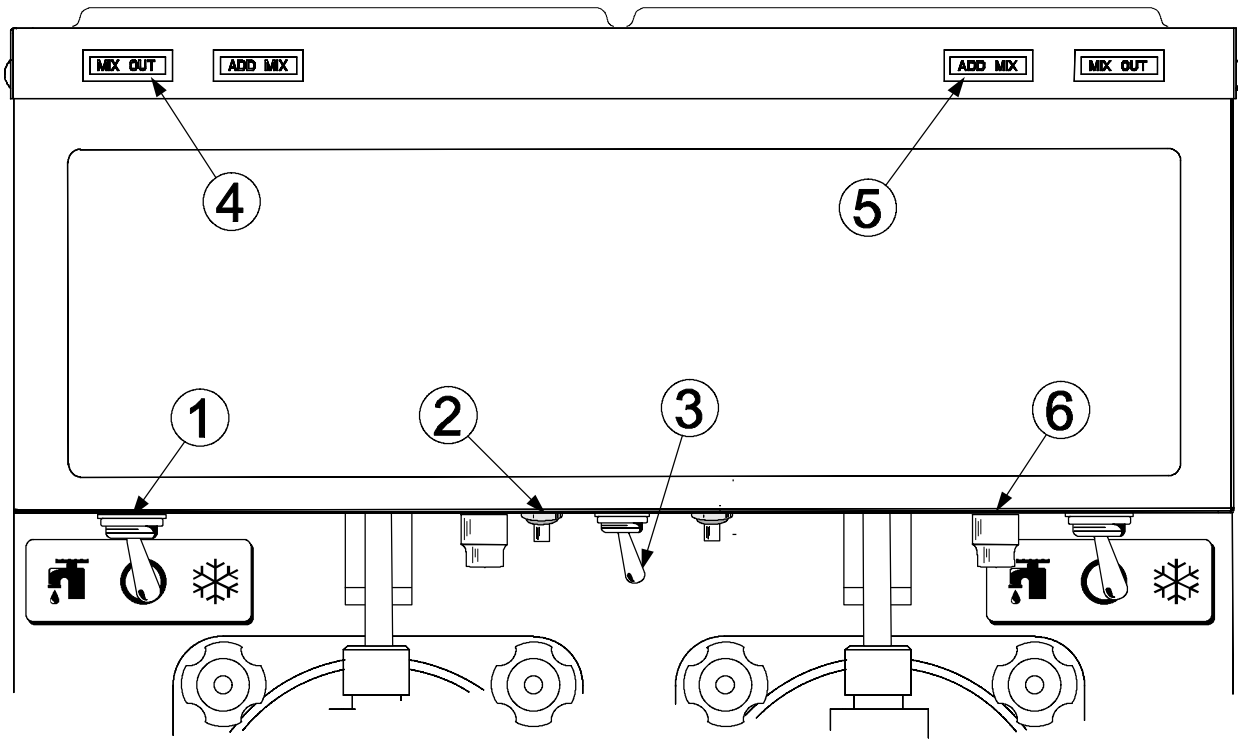





Figure 4

Item	Description
1	Switch- Toggle - 3 PDT
2	Switch- Push Button - SPST
3	Switch- Toggle- SPST - 3/4 HP/250 V
4	Light- Amber- Rect. - 12 VDC - MIX OUT
5	Light- Amber- Rect. - 12 VDC - ADD MIX
6	Viscosity Adjustment

The following chart identifies the symbol definitions used on the operator switches.

-  = The "ON/AUTO" button.
-  = The "OFF" button.
-  = The "WASH" button.

Control Switch (Item 1)

The center position is "OFF". The left position is "WASH", which activates only the beater motor. The right position is "AUTO", which activates the beater motor and the refrigeration system.

Push-Button Switch (Item 2)

If an overload condition occurs, the freezer will automatically stop operating. To properly reset the freezer, place the toggle switch in the "OFF" position. Wait two or three minutes; then press the push-button switch. Place the power switch in the "WASH" position and observe the freezer's performance. Place the power switch in the "AUTO" position.

Note: If the freezer is unplugged from the wall receptacle, it will be necessary to press the push-button switch for the freezer to operate once power is re-established.

Display Light Switch (Item 3)

The display light switch is located under the control channel. The left position is "OFF". The right position is "ON", and activates the display light.

Indicator Light - “Mix Out” (Item 4)

A mix out indicating light is located on the front of the machine. When the light is flashing, it indicates that the hopper is empty and the mix supply needs replenishing. To prevent damage to the unit, refrigeration discontinues automatically when the mix out indicator lights illuminates. Refrigeration will restart 30 seconds after the mix supply is replenished.

Indicator Light - “Add Mix” (Item 5)

A mix level indicating light is located on the front of the machine. When the light is flashing, it indicates that the mix hopper has a low supply of product and should be refilled as soon as possible.

Viscosity Adjustment (Item 6)

The viscosity (thickness) of the slush can be adjusted by turning the viscosity adjustment screw located under the control channel. Turn the viscosity adjustment screw clockwise for a thicker product, or counterclockwise for a thinner product. After making an adjustment, allow the refrigeration system to cycle 2 or 3 times to accurately evaluate the viscosity.

Section 6

Operating Procedures

The Model 432 freezer is designed to produce shake or slush product at the desired thickness. This unit has a 4 quart freezing cylinder.

We begin our instructions at the point where we enter the store in the morning and find the parts disassembled and laid out to air dry from the previous night's brush cleaning. These opening procedures will show you how to assemble these parts into the freezer, sanitize them, and prime the freezer with fresh mix in preparation to serve your first portion. If you are disassembling the machine for the first time or need information to get to this point in our instructions, turn to page 19, "Disassembly", and start there.

Assembly

Note: When lubricating parts, use an approved food grade lubricant (example: Taylor Lube).



MAKE SURE THE POWER SWITCH IS IN THE "OFF" POSITION! Failure to follow this instruction may result in severe personal injury from hazardous moving parts.

Step 1

Lubricate the groove on the drive shaft and slide the o-ring in place. Lubricate the o-ring and shaft portion that comes in contact with the bearing. **DO NOT** lubricate the square end of the drive shaft. Lubricate the boot seal groove and slide the boot seal over the shaft and groove until it snaps into place. Fill the inside portion of the seal with 1/4" more lubricant and evenly lubricate the end of the seal that fits onto the rear shell bearing.

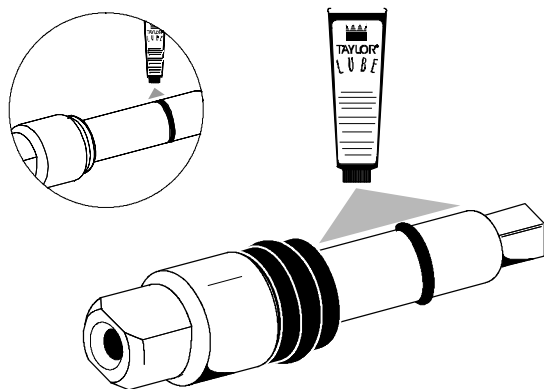


Figure 5

Note: Do not install the boot seal inside out.

Install the drive shaft. Insert the beater drive shaft into the rear shell bearing and engage the square end firmly into the female socket of the drive unit. Be certain that the drive shaft fits into the drive coupling without binding.

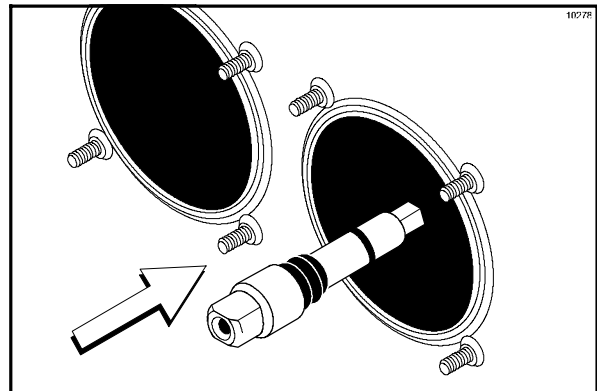


Figure 6

Step 2

Install the beater assembly. First check the scraper blade for any nicks or signs of wear. If any nicks are present, replace the blade. If the blade is in good condition, place the clip over the blade and install the blade and clip on the beater assembly. Be sure the holes in the blade and the clip are securely positioned over the beater pin.

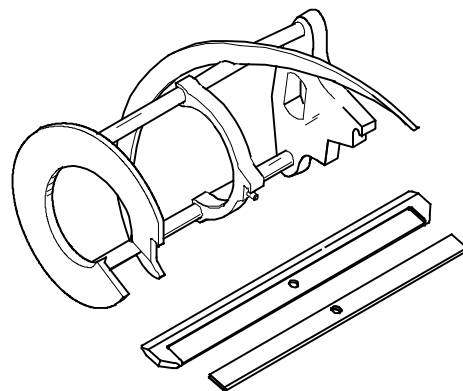


Figure 7

Holding the beater securely, slide the beater into the freezing cylinder and align the hole at the rear of the beater with the flats on the end of the drive shaft.

Slide the beater the remainder of the way into the freezing cylinder and over the end of the drive shaft. The beater assembly will not protrude beyond the front of the freezing cylinder.

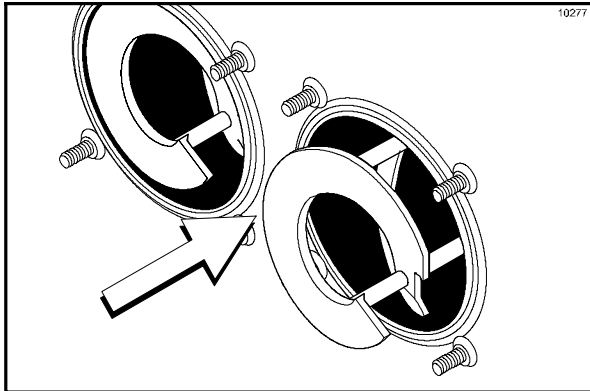


Figure 8

Step 3

Install the white plastic guide bearing on the short end of the torque rotor. Slide the o-ring into the groove on the long end of the torque rotor and lubricate the o-ring. Do not lubricate the guide bearing.

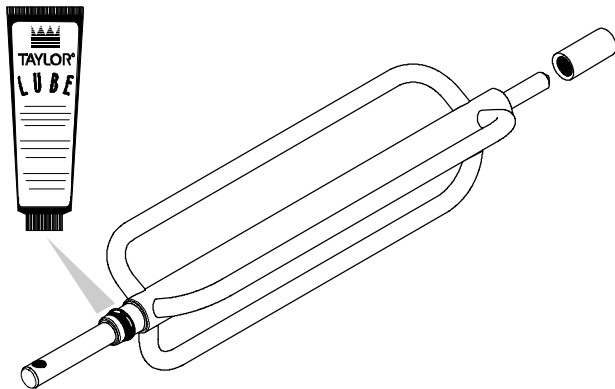


Figure 9

Step 4

Insert the torque rotor end with the guide bearing into the pilot hole in the center of the drive shaft. The hole in the torque rotor shaft should be rotated to the 12 o'clock position.

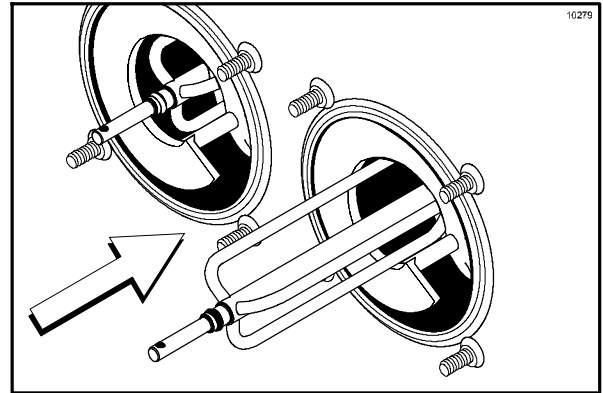


Figure 10

Step 5

Assemble the freezer door with the "Ice Buster" (door spout clearing device). To assemble the door with the ice buster, install the o-rings on the draw valve and lubricate.

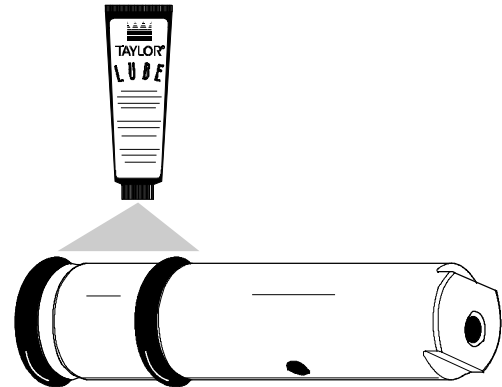


Figure 11

Insert the draw valve into the door, leaving approximately half of the valve sticking out the top of the door.

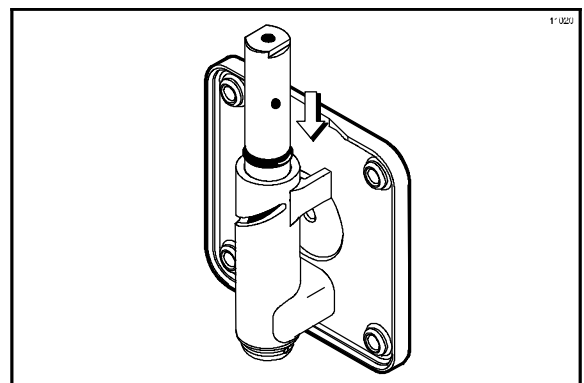


Figure 12

Rotate the draw valve so the flats on the top of the draw valve are perpendicular to the door face.

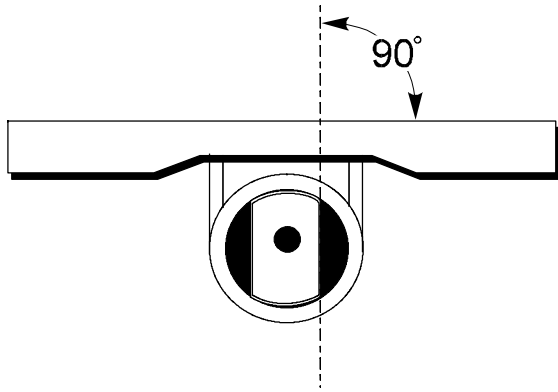


Figure 13

Insert the ice buster through the door spout and into the slot located just above the lower o-ring.

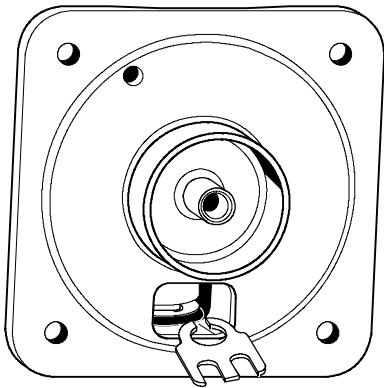


Figure 14

With the ice buster in place, rotate the draw valve to allow installation of the draw handle. This will lock the ice buster in place. Install the draw handle pin, and close the draw valve by moving the handle to the left.

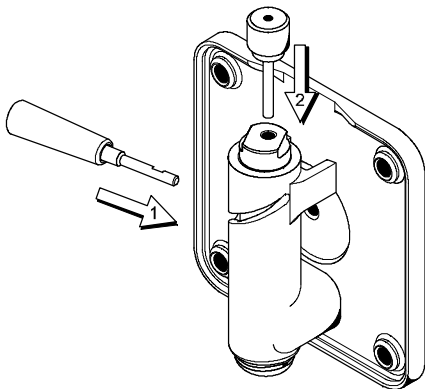


Figure 15

Place the large rubber gasket into the groove on the back side of the freezer door. Slide the white, plastic front bearing onto the bearing hub, making certain that the flanged end of the bearing is resting against the freezer door. **DO NOT** lubricate the door gasket or front bearing.

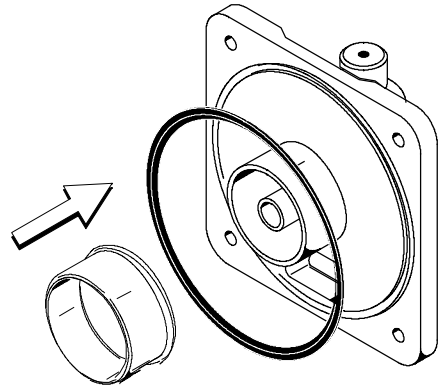


Figure 16

Step 6

Install the door on the four studs on the front of the freezing cylinder. Install the four handscrews on the door, and tighten them equally in a criss-cross manner.

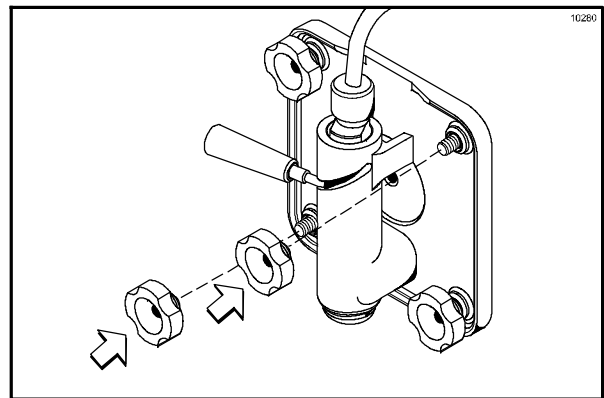


Figure 17

Step 7

Position the torque arm by inserting it through the slot in the torque switch arm and down into the hole in the torque rotor which protrudes from the door. Verify proper installation by moving the torque rotor back and forth to be sure it moves freely and easily.

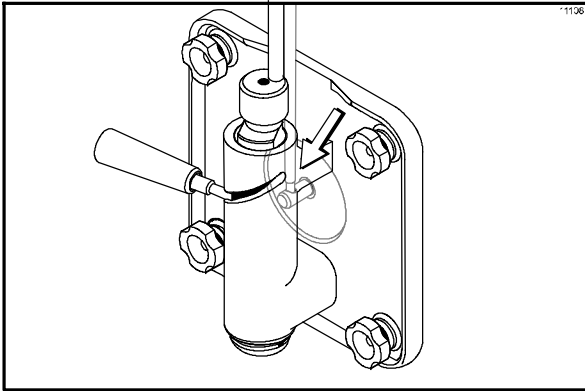


Figure 18

Step 8

Install the front drip pans. Slide the long drip pans into the holes in the front panel.

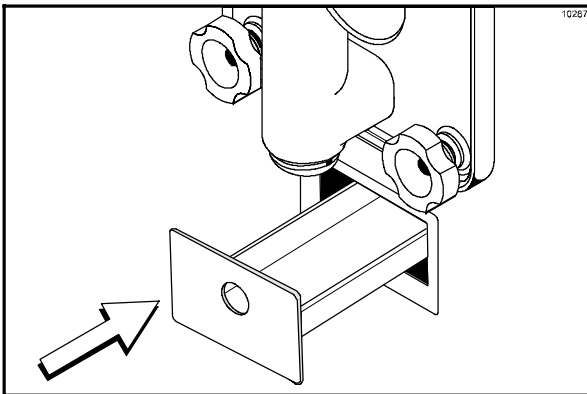


Figure 19

Step 9

Install the front drip tray and splash shield beneath the door spouts.

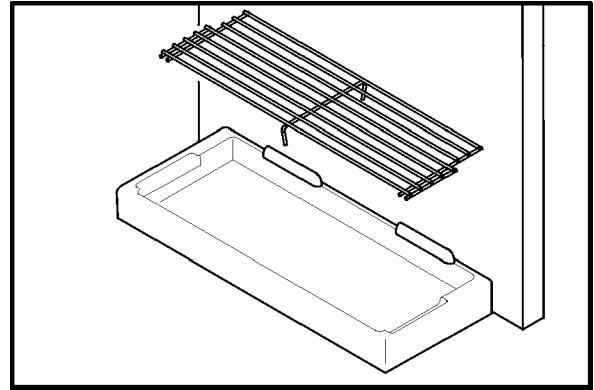


Figure 20

Step 10

Lay the air/mix feed tube (optional) in the bottom of the mix hopper.

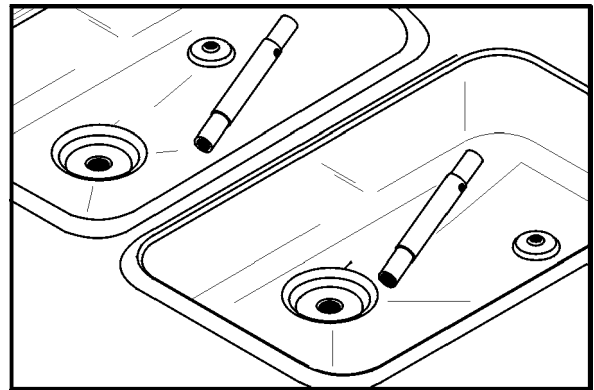


Figure 21

Repeat these steps for the other side of the unit.

Sanitizing

Step 1

Prepare an approved 100 PPM sanitizing solution (examples: 2- 1/2 gal. [9.5 liters] of Kay- 5® or 2 gal. [7.6 liters] of Stera- Sheen®). USE WARM WATER AND FOLLOW THE MANUFACTURER'S SPECIFICATIONS.

Step 2

Pour the sanitizing solution into the hopper and allow it to flow into the freezing cylinder.

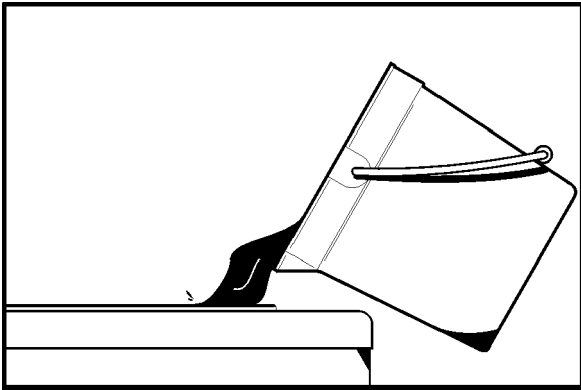


Figure 22

Step 3

While the solution is flowing into the freezing cylinder, brush clean the mix hopper, air/mix feed tube (optional) and mix inlet hole.

Step 4

Place the power switch in the "WASH" position. This will agitate the sanitizing solution in the freezing cylinder. Allow the solution to agitate for five minutes.

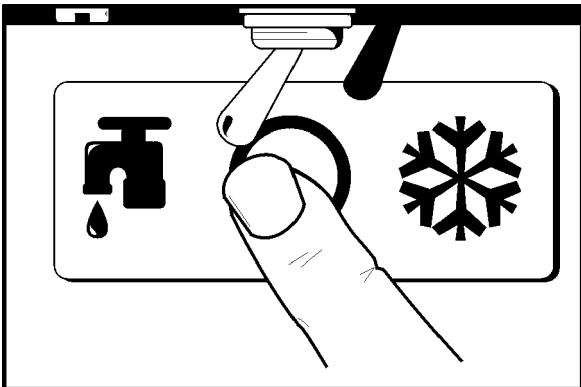


Figure 23

Step 5

Place an empty pail beneath the door spout and move the draw handle to the right. Draw off all the sanitizing solution. When the sanitizer stops flowing from the door spout, move the draw handle to the left and place the control switch in the "OFF" position.

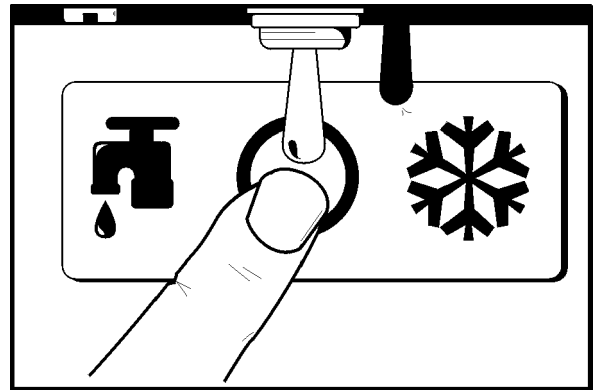


Figure 24

Step 6

Stand the air/mix feed tube (optional) in the corner of the hopper.

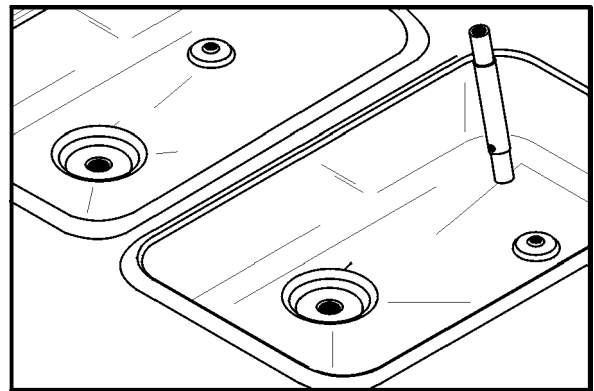


Figure 25

Repeat these steps for the other side of the unit.

Priming

Step 1

With a pail beneath the door spout, move the draw handle to the right. Pour two gallons (7.6 liters) of FRESH mix into the hopper and allow it to flow into the freezing cylinder. This will force out any remaining sanitizing solution. When full strength mix is flowing from the door spout, move the draw handle to the left.

Step 2

When the mix has stopped bubbling down into the freezing cylinder, install the air/mix feed tube (optional) in the mix inlet hole with the hole side down.

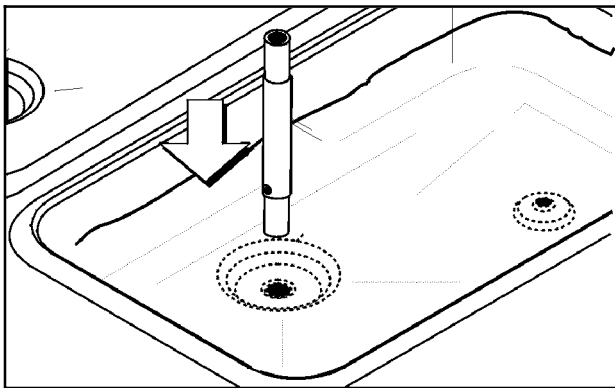


Figure 26

Step 3

Place the power switch in the “AUTO” position. When the unit cycles off, the product will be at serving viscosity. The viscosity (thickness) of the slush can be adjusted by turning the viscosity adjustment screw located under the control channel. Turn the viscosity adjustment screw clockwise for a thicker product, or counterclockwise for a thinner product. After making an adjustment, allow the refrigeration system to cycle 2 or 3 times to accurately evaluate the viscosity.

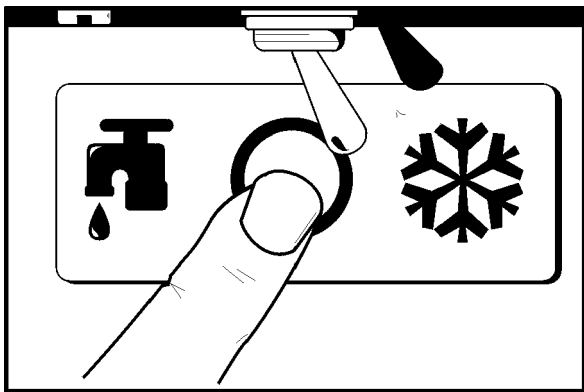


Figure 27

Note: To identify the viscosity adjustment screw, see illustration on page 11.

Step 4

Place the mix hopper cover in position. Periodically, during the day’s operation, check to be sure there is a sufficient amount of mix in the hopper.

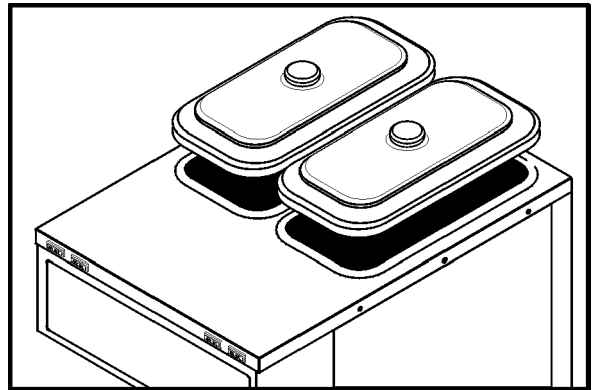


Figure 28

Repeat these steps for the other side of the unit.

Closing Procedure

To disassemble this unit, the following items will be needed:

- Two cleaning pails
- Necessary brushes (provided with freezer)
- Cleaner
- Single service towels

Draining Product From The Freezing Cylinder

Step 1

Place the power switch in the “OFF” position as far ahead of cleaning time as possible to allow frozen product to soften for easier cleaning.

Step 2

Raise the hopper cover. If the unit is equipped with an air/mix feed tube, take it to the sink for cleaning.

Step 3

If local health codes permit the use of rerun, place a sanitized, NSF approved stainless steel rerun container beneath the door spout. Place the power switch in the "WASH" position and move the draw handle to the right. When all the product stops flowing from the door spout, move the draw handle to the left and place the power switch in the "OFF" position. Place the sanitized lid on the rerun container and place it in the walk-in cooler.

Note: If local health codes DO NOT permit the use of rerun, the product must be discarded. Follow the instructions in the previous step, except drain the product into a pail and properly discard the mix.



Repeat these steps for the other side of the unit.

Rinsing

Step 1

Pour two gallons (7.6 liters) of cool, clean water into the mix hopper. With the brushes provided, scrub the mix hopper and the mix inlet hole.

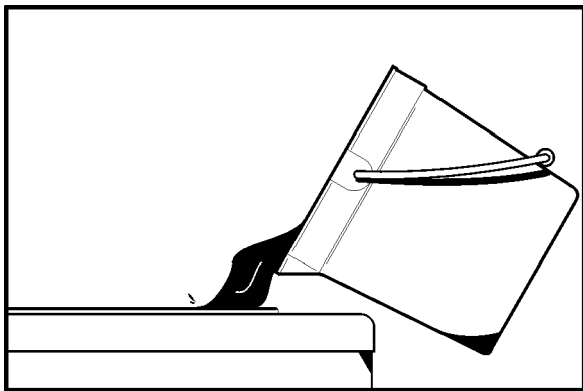


Figure 29

Step 2

With a pail beneath the door spout, place the power switch in the "WASH" position and move the draw handle to the right. Drain all the rinse water from the freezing cylinder. When the rinse water stops flowing from the door spout, move the draw handle to the left and place the control switch in the "OFF" position.

Repeat this procedure until the rinse water being drawn from the freezing cylinder is clear.

Repeat these steps for the other side of the unit.

Cleaning

Step 1

Prepare an approved 100 PPM cleaning solution (examples: 2- 1/2 gal. [9.5 liters] of Kay- 5® or 2 gal. [7.6 liters] of Stera- Sheen®). USE WARM WATER AND FOLLOW THE MANUFACTURER'S SPECIFICATIONS.

Step 2

Pour the cleaning solution into the hopper and allow it to flow into the freezing cylinder.

Step 3

While the solution is flowing into the freezing cylinder, brush- clean the mix hopper and mix inlet hole.

Step 4

Place the power switch in the "WASH" position. This will agitate the cleaning solution in the freezing cylinder.

Step 5

Place an empty pail beneath the door spout and move the draw handle to the right. Draw off all the cleaning solution. When the solution stops flowing from the door spout, move the draw handle to the left, and place the power switch in the "OFF" position.

Repeat these steps for the other side of the unit.

Disassembly

Step 1

BE SURE THE CONTROL SWITCH IS IN THE "OFF" POSITION.

Step 2

Remove the handscrews, freezer door, beater assembly, torque rotor, scraper blade and drive shaft from the freezing cylinder. Take these parts to the sink for cleaning.

Step 3

Remove the front drip tray and the splash shield. Take these parts to the sink for cleaning.

Step 4

Remove the rear drip pans from the front panel. Note: If the drip pans are filled with an excessive amount of mix, it is an indication the drive shaft seals should be replaced or properly lubricated.

Repeat these steps for the other side of the unit.

Brush Cleaning

Step 1

Prepare a sink with a cleaning solution (examples: Kay-5® or Stera-Sheen®). USE WARM WATER AND FOLLOW THE MANUFACTURER'S SPECIFICATIONS. (If another approved cleaner is used, dilute according to label instructions. **IMPORTANT:** Follow the label directions. Too STRONG of a solution can cause parts damage, while too MILD of a solution will not provide adequate cleaning.) Make sure all brushes provided with the freezer are available for brush cleaning.

Step 2

Remove the o-ring and seal from the drive shaft. Remove the o-ring and the bearing from the torque rotor.

Step 3

Remove the draw valve, ice buster, front bearing, and gasket from the freezer door. Remove all o-rings.

Note: To remove the o-ring, use a single service towel to grasp the o-ring. Apply pressure in an upward direction until the o-ring pops out of its groove. With the other hand, push the top of the o-ring forward until it rolls out of the groove and can be removed easily.

Step 4

Thoroughly brush-clean all disassembled parts in the cleaning solution, making sure all lubricant and mix film is removed. Place all the cleaned parts on a clean, dry surface to air dry.

Step 5

Return to the freezer with a small amount of cleaning solution. Brush-clean the rear shell bearing at the back of the freezing cylinder with the black bristle brush.

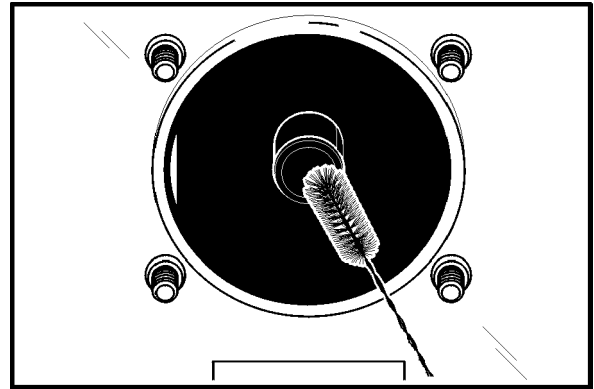


Figure 30

Step 6

Wipe clean all exterior surfaces of the freezer.

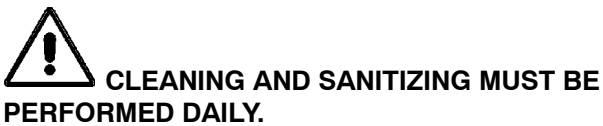
Repeat these steps for the other side of the unit.

Section 7 Important: Operator Checklist

During Cleaning and Sanitizing:



Cleaning and sanitizing schedules are governed by federal, state, or local regulatory agencies, and must be followed accordingly. If the unit has a “Standby mode”, it must not be used in lieu of proper cleaning and sanitizing procedures and frequencies set forth by the ruling health authority. The following check points should be stressed during the cleaning and sanitizing operations.



Troubleshooting Bacterial Count:

- 1. Thoroughly clean and sanitize machine regularly, including complete disassembly and brush cleaning.
- 2. Use all brushes supplied for thorough cleaning. The brushes are specially designed to reach all mix passageways.
- 3. Use the white bristle brush to clean the mix feed tube, which extends from the hopper down to the rear of the freezing cylinder.
- 4. Use the black bristle brush to thoroughly clean the rear shell bearing located at the rear of the freezing cylinder. Be sure to have a generous amount of cleaning solution on the brush.
- 5. IF LOCAL HEALTH CODES PERMIT THE USE OF RERUN, make sure the mix rerun is stored in a sanitized, covered stainless steel container and used the following day. DO NOT prime the machine with rerun. When using rerun, skim off the foam and discard, then mix

the rerun with fresh mix in a ratio of 50/50 during the day's operation.

- 6. On a designated day of the week, run the mix as low as feasible and discard after closing. This will break the rerun cycle and reduce the possibility of high bacteria and coliform counts.
- 7. Properly prepare the cleaning and sanitizing solutions. Read and follow label directions carefully. Too strong of a solution may damage the parts and too weak of a solution will not do an adequate job of cleaning or sanitizing.
- 8. Temperature of mix in mix hopper and walk-in cooler should be below 40°F. (4.4°C.).

Regular Maintenance Checks:

- 1. Replace scraper blades that are nicked, damaged or worn down. Before installing beater, be certain the scraper blade is properly attached.
- 2. Check rear shell bearing for signs of wear (excessive mix leakage in drip pan) and be certain it is properly cleaned.
- 3. Using a screwdriver and cloth towel, keep the rear shell bearing and the female square drive socket clean and free of lubricant and mix deposits.
- 4. Dispose of o-rings and seals if they are worn, torn, or fit too loosely, and replace with new.
- 5. Follow all lubricating procedures as outlined in “Assembly”.
- 6. Check the condenser(s) for accumulation of dirt and lint. Dirty condensers will reduce the efficiency and capacity of the machine. Condensers should be cleaned **monthly** with a soft brush. **Never** use screwdrivers or other metal probes to clean between the fins.
Note: For machines equipped with an air filter, it will be necessary to vacuum clean the filters on a monthly schedule.

Winter Storage

If the place of business is to be closed during the winter months, it is important to protect the freezer by following certain precautions, particularly if the building is to be left unheated and subject to freezing conditions.

Disconnect the freezer from the main power source to prevent possible electrical damage. Your local Taylor Distributor can perform this service for you.

Wrap detachable parts of the freezer such as beater, blades, drive shaft, and freezer door, and place in a protected dry place. Rubber trim parts and gaskets can be protected by wrapping with moisture-proof paper. All parts should be thoroughly cleaned of dried mix or lubrication accumulations which attract mice and other vermin.

Section 8

Troubleshooting Guide

PROBLEM	PROBABLE CAUSE	REMEDY	PAGE REF.
1. No product being dispensed.	a. Control switch is in the "OFF" position.	a. Place control switch in the "AUTO" position.	18
	b. Improper mixing of product.	b. Carefully follow directions for mixing product.	---
	c. Inadequate mix in hopper.	c. Fill hopper with mix.	18
	d. Product frozen-up in freezing cylinder.	d. Adjust viscosity adjustment accordingly.	11
	e. Unit out on reset.	e. Place control switch in the "OFF" position. Press the push-button switch. Return control switch to "AUTO".	11
	f. Beater assembly is rotating counterclockwise. Control switch is not in "AUTO".	f. If the beater is rotating counterclockwise, call a service technician to correct the rotation.	1
	g. Unit unplugged at wall receptacle.	g. Plug in power cord.	---
	h. Tripped circuit breaker or blown fuse.	h. Reset circuit breaker or replace fuse.	---
2. Unit will not operate in the "AUTO" or "WASH" mode.	a. Unit unplugged at wall receptacle.	a. Plug in power cord.	---
	b. Tripped circuit breaker or blown fuse.	b. Reset circuit breaker or replace fuse.	---
	c. Unit out on reset.	c. Place the control switch in the "OFF" position. Press the push-button switch. Return control switch to "AUTO".	11
3. No compressor operation in the "AUTO" mode.	a. Beater motor is out on overload.	a. Place control switch in "OFF" position. Press the push-button switch. Return control switch to "AUTO".	11
	b. Condenser dirty A/C.	b. Clean condenser monthly.	21

PROBLEM	PROBABLE CAUSE	REMEDY	PAGE REF.
4. Product too thick.	a. Inadequate mix in hopper.	a. Fill hopper with mix.	18
	b. Improper mixing of product.	b. Carefully follow directions for mixing product.	---
	c. The viscosity adjustment is set incorrectly.	c. Adjust the viscosity control.	11
	d. The torque arm is not installed.	d. Install the torque arm.	16
5. Product too thin.	a. Missing, incorrectly installed, or bad scraper blade.	a. Install or replace scraper blade.	13
	b. Improper mixing of product.	b. Carefully follow directions for mixing product.	---
	c. The viscosity adjustment is set incorrectly.	c. Adjust accordingly.	11
	d. Incorrect beater rotation. (Rotation must be clockwise.)	d. Contact service technician.	---
	e. Dirty condensers.	e. Clean regularly.	21
6. Scored walls of freezing cylinder.	a. Broken pin on beater assembly.	a. Repair or replace beater assembly.	---
	b. Front bearing worn or missing.	b. Replace or install front bearing.	14
7. Excessive leakage into rear drip pan.	a. Improper or inadequate lubrication of drive shaft seal.	a. Use correct lubricant (Taylor Lube) and follow lubrication procedures.	13
	b. Bad or missing seal on drive shaft.	b. Replace seal every 3 months.	25
	c. Worn rear shell bearing.	c. Contact service technician for replacement.	---
8. Excessive leakage from door spout.	a. Improper or inadequate lubrication of draw valve o-rings.	a. Use correct lubricant (Taylor Lube) and follow lubrication procedures.	13
	b. Bad or missing o-rings on draw valve.	b. Replace o-rings every 3 months.	25
9. Unable to remove drive shaft.	a. Lubrication on square end of drive shaft.	a. Do not lubricate square end. Contact service technician for replacement.	13
	b. Rounded corners of drive shaft, drive coupling, or both.	b. Contact service technician to replace drive shaft, drive coupling, or both.	---

Section 9

Parts Replacement Schedule

PART DESCRIPTION	EVERY 3 MONTHS	EVERY 4 MONTHS	EVERY 6 MONTHS	ANNUALLY	QUANTITIES TO BE REPLACED
Drive Shaft Seal	X				2
Drive Shaft O-Ring	X				2
Scraper Blade		X			2
Freezer Door Gasket	X				2
Front Bearing	X				2
Guide Bearing	X				2
Torque Rotor O-Ring	X				2
Draw Valve O-Rings	X				4
Black Bristle Brush - 1" x 2"			Inspect & Replace if Necessary	Maximum	1
White Bristle Brush - 1-1/2" x 2"			Inspect & Replace if Necessary	Maximum	1
White Bristle Brush - 3" x 7"			Inspect & Replace if Necessary	Maximum	1

Section 10 Limited Warranty on Equipment

TAYLOR COMPANY LIMITED WARRANTY ON FREEZERS

Taylor Company, a division of Carrier Commercial Refrigeration, Inc. (“Taylor”) is pleased to provide this limited warranty on new Taylor-branded freezer equipment available from Taylor to the market generally (the “Product”) to the original purchaser only.

LIMITED WARRANTY

Taylor warrants the Product against failure due to defect in materials or workmanship under normal use and service as follows. All warranty periods begin on the date of original Product installation. If a part fails due to defect during the applicable warranty period, Taylor, through an authorized Taylor distributor or service agency, will provide a new or re-manufactured part, at Taylor’s option, to replace the failed defective part at no charge for the part. Except as otherwise stated herein, these are Taylor’s exclusive obligations under this limited warranty for a Product failure. This limited warranty is subject to all provisions, conditions, limitations and exclusions listed below and on the reverse (if any) of this document.

Product	Part	Limited Warranty Period
Soft Serve	Insulated shell assembly	Five (5) years
Frozen Yogurt Shakes	Refrigeration compressor (except service valve)	Five (5) years
Smoothies	Beater motors	Two (2) years
Frozen Beverage	Beater drive gear	Two (2) years
Batch Desserts	Printed circuit boards and Softech controls beginning with serial number H8024200	Two (2) years
	Parts not otherwise listed in this table or excluded below	One (1) year

LIMITED WARRANTY CONDITIONS

1. If the date of original installation of the Product cannot be verified, then the limited warranty period begins ninety (90) days from the date of Product manufacture (as indicated by the Product serial number). Proof of purchase may be required at time of service.
2. This limited warranty is valid only if the Product is installed and all required service work on the Product is performed by an authorized Taylor distributor or service agency, and only if genuine, new Taylor parts are used.
3. Installation, use, care, and maintenance must be normal and in accordance with all instructions contained in the Taylor Operator’s Manual.
4. Defective parts must be returned to the authorized Taylor distributor or service agency for credit.
5. The use of any refrigerant other than that specified on the Product’s data label will void this limited warranty.

LIMITED WARRANTY EXCEPTIONS

This limited warranty does **not** cover:

1. Labor or other costs incurred for diagnosing, repairing, removing, installing, shipping, servicing or handling of defective parts, replacement parts, or new Products.
2. Normal maintenance, cleaning and lubrication as outlined in the Taylor Operator’s Manual, including cleaning of condensers.

3. Replacement of wear items designated as Class "000" parts in the Taylor Operator's Manual.
4. External hoses, electrical power supplies, and machine grounding.
5. Parts not supplied or designated by Taylor, or damages resulting from their use.
6. Return trips or waiting time required because a service technician is prevented from beginning warranty service work promptly upon arrival.
7. Failure, damage or repairs due to faulty installation, misapplication, abuse, no or improper servicing, unauthorized alteration or improper operation or use as indicated in the Taylor Operator's Manual, including but not limited to the failure to use proper assembly and cleaning techniques, tools, or approved cleaning supplies.
8. Failure, damage or repairs due to theft, vandalism, wind, rain, flood, high water, water, lightning, earthquake or any other natural disaster, fire, corrosive environments, insect or rodent infestation, or other casualty, accident or condition beyond the reasonable control of Taylor; operation above or below the electrical or water supply specification of the Product; or components repaired or altered in any way so as, in the judgment of the Manufacturer, to adversely affect performance, or normal wear or deterioration.
9. Any Product purchased over the Internet.
10. Failure to start due to voltage conditions, blown fuses, open circuit breakers, or damages due to the inadequacy or interruption of electrical service.
11. Electricity or fuel costs, or increases in electricity or fuel costs from any reason whatsoever.
12. Damages resulting from the use of any refrigerant other than that specified on the Product's data label will void this limited warranty.
13. Any cost to replace, refill or dispose of refrigerant, including the cost of refrigerant.
14. **ANY SPECIAL, INDIRECT OR CONSEQUENTIAL PROPERTY OR COMMERCIAL DAMAGE OF ANY NATURE WHATSOEVER.** Some jurisdictions do not allow the exclusion of incidental or consequential damages, so this limitation may not apply to you.

This limited warranty gives you specific legal rights, and you may also have other rights which vary from jurisdiction to jurisdiction.

LIMITATION OF WARRANTY

THIS LIMITED WARRANTY IS EXCLUSIVE AND IS IN LIEU OF ALL OTHER WARRANTIES, CONDITIONS AND/OR REMEDIES UNDER THE LAW, INCLUDING ANY IMPLIED WARRANTIES OR CONDITIONS OF MERCHANTABILITY OR FITNESS FOR A PARTICULAR PURPOSE. THE ORIGINAL OWNER'S SOLE REMEDY WITH RESPECT TO ANY PRODUCTS SHALL BE REPAIR OR REPLACEMENT OF DEFECTIVE COMPONENTS UNDER THE TERMS OF THIS LIMITED WARRANTY. ALL RIGHTS TO CONSEQUENTIAL OR INCIDENTAL DAMAGES (INCLUDING CLAIMS FOR LOST SALES, LOST PROFITS, PRODUCT LOSS, PROPERTY DAMAGES OR SERVICE EXPENSES) ARE EXPRESSLY EXCLUDED. THE EXPRESS WARRANTIES MADE IN THIS LIMITED WARRANTY MAY NOT BE ALTERED, ENLARGED, OR CHANGED BY ANY DISTRIBUTOR, DEALER, OR OTHER PERSON, WHATSOEVER.

LEGAL REMEDIES

The owner **must** notify Taylor in writing, by certified or registered letter to the following address, of any defect or complaint with the Product, stating the defect or complaint and a specific request for repair, replacement, or other correction of the Product under warranty, mailed at least thirty (30) days before pursuing any legal rights or remedies.

Taylor Company
a division of Carrier Commercial Refrigeration, Inc.
750 N. Blackhawk Blvd.
Rockton, IL 61072

Section 11

Limited Warranty on Parts

TAYLOR COMPANY LIMITED WARRANTY ON TAYLOR GENUINE PARTS

Taylor Company, a division of Carrier Commercial Refrigeration, Inc. ("Taylor") is pleased to provide this limited warranty on new Taylor genuine replacement components and parts available from Taylor to the market generally (the "Parts") to the original purchaser only.

LIMITED WARRANTY

Taylor warrants the Parts against failure due to defect in materials or workmanship under normal use and service as follows. All warranty periods begin on the date of original installation of the Part in the Taylor unit. If a Part fails due to defect during the applicable warranty period, Taylor, through an authorized Taylor distributor or service agency, will provide a new or re-manufactured Part, at Taylor's option, to replace the failed defective Part at no charge for the Part. Except as otherwise stated herein, these are Taylor's exclusive obligations under this limited warranty for a Part failure. This limited warranty is subject to all provisions, conditions, limitations and exclusions listed below and on the reverse (if any) of this document.

Part's Warranty Class Code or Part	Limited Warranty Period
Class 103 Parts ¹	Three (3) months
Class 212 Parts ²	Twelve (12) months
Class 512 Parts	Twelve (12) months
Class 000 Parts	No warranty
Taylor Part #072454 (Motor- 24VDC *C832/C842*)	Four (4) years

LIMITED WARRANTY CONDITIONS

1. If the date of original installation of the Part cannot be otherwise verified, proof of purchase may be required at time of service.
2. This limited warranty is valid only if the Part is installed and all required service work in connection with the Part is performed by an authorized Taylor distributor or service agency.
3. The limited warranty applies only to Parts remaining in use by their original owner at their original installation location in the unit of original installation.
4. Installation, use, care, and maintenance must be normal and in accordance with all instructions contained in the Taylor Operator's Manual.
5. Defective Parts must be returned to the authorized Taylor distributor or service agency for credit.
6. This warranty is not intended to shorten the length of any warranty coverage provided pursuant to a separate Taylor Limited Warranty on freezer or grill equipment.
7. The use of any refrigerant other than that specified for the unit in which the Part is installed will void this limited warranty.

^{1, 2} Except that Taylor Part #032129SER2 (Compressor-Air-230V SERV) and Taylor Part #075506SER1 (Compressor-Air-115V 60HZ) shall have a limited warranty period of twelve (12) months when used in Taylor freezer equipment and a limited warranty period of two (2) years when used in Taylor grill equipment.

LIMITED WARRANTY EXCEPTIONS

This limited warranty does **not** cover:

1. Labor or other costs incurred for diagnosing, repairing, removing, installing, shipping, servicing or handling of defective Parts, replacement Parts, or new Parts.
2. Normal maintenance, cleaning and lubrication as outlined in the Taylor Operator's Manual, including cleaning of condensers or carbon and grease buildup.
3. Required service, whether cleaning or general repairs, to return the cooking surface assemblies, including the upper platen and lower plate, to an operational condition to achieve proper cooking or allow proper assembly of release sheets and clips as a result of grease build-up on the cooking surfaces, including but not limited to the platen and plate, sides of the shroud or top of the shroud.
4. Replacement of cooking surfaces, including the upper platen and lower plate, due to pitting or corrosion (or in the case of the upper platen, due to loss of plating) as a result of damage due to the impact of spatulas or other small wares used during the cooking process or as a result of the use of cleaners, cleaning materials or cleaning processes not approved for use by Taylor.
5. Replacement of wear items designated as Class "000" Parts in the Taylor Operator's Manual, as well as any release sheets and clips for the Product's upper platen assembly.
6. External hoses, electrical power supplies, and machine grounding.
7. Parts not supplied or designated by Taylor, or damages resulting from their use.
8. Return trips or waiting time required because a service technician is prevented from beginning warranty service work promptly upon arrival.
9. Failure, damage or repairs due to faulty installation, misapplication, abuse, no or improper servicing, unauthorized alteration or improper operation or use as indicated in the Taylor Operator's Manual, including but not limited to the failure to use proper assembly and cleaning techniques, tools, or approved cleaning supplies.
10. Failure, damage or repairs due to theft, vandalism, wind, rain, flood, high water, water, lightning, earthquake or any other natural disaster, fire, corrosive environments, insect or rodent infestation, or other casualty, accident or condition beyond the reasonable control of Taylor; operation above or below the gas, electrical or water supply specification of the unit in which a part is installed; or Parts or the units in which they are installed repaired or altered in any way so as, in the judgment of Taylor, to adversely affect performance, or normal wear or deterioration.
11. Any Part purchased over the Internet.
12. Failure to start due to voltage conditions, blown fuses, open circuit breakers, or damages due to the inadequacy or interruption of electrical service.
13. Electricity, gas or other fuel costs, or increases in electricity or fuel costs from any reason whatsoever.
14. Damages resulting from the use of any refrigerant other than that specified for the unit in which the Part is installed will void this limited warranty.
15. Any cost to replace, refill or dispose of refrigerant, including the cost of refrigerant.
16. **ANY SPECIAL, INDIRECT OR CONSEQUENTIAL PROPERTY OR COMMERCIAL DAMAGE OF ANY NATURE WHATSOEVER.** Some jurisdictions do not allow the exclusion of incidental or consequential damages, so this limitation may not apply to you.

This limited warranty gives you specific legal rights, and you may also have other rights which vary from jurisdiction to jurisdiction.

LIMITATION OF WARRANTY

THIS LIMITED WARRANTY IS EXCLUSIVE AND IS IN LIEU OF ALL OTHER WARRANTIES, CONDITIONS AND/OR REMEDIES UNDER THE LAW, INCLUDING ANY IMPLIED WARRANTIES OR CONDITIONS OF MERCHANTABILITY OR FITNESS FOR A PARTICULAR PURPOSE. THE ORIGINAL OWNER'S SOLE REMEDY WITH RESPECT TO ANY PRODUCTS SHALL BE REPAIR OR REPLACEMENT OF DEFECTIVE PARTS UNDER THE TERMS OF THIS LIMITED WARRANTY. ALL RIGHTS TO CONSEQUENTIAL OR INCIDENTAL DAMAGES (INCLUDING CLAIMS FOR LOST SALES, LOST PROFITS, PRODUCT LOSS, PROPERTY DAMAGES OR SERVICE EXPENSES) ARE EXPRESSLY EXCLUDED. THE EXPRESS WARRANTIES MADE IN THIS LIMITED WARRANTY MAY NOT BE ALTERED, ENLARGED, OR CHANGED BY ANY DISTRIBUTOR, DEALER, OR OTHER PERSON, WHATSOEVER.

LEGAL REMEDIES

The owner **must** notify Taylor in writing, by certified or registered letter to the following address, of any defect or complaint with the Part, stating the defect or complaint and a specific request for repair, replacement, or other correction of the Part under warranty, mailed at least thirty (30) days before pursuing any legal rights or remedies.

Taylor Company
a division of Carrier Commercial Refrigeration, Inc.
750 N. Blackhawk Blvd.
Rockton, IL 61072

Section 12

Parts List

DESCRIPTION	PART NUMBER	QTY.	WARR. CLASS	REMARKS	PARTS UPDATE
432 STANDARD (043227F000 208-230V 60HZ 1PH) A/C-BRISTOL-R404A					
ACCUMULATOR-COPPER 2"DIA 10"LG	047062	1	103		
ARM-TORQUE-432	052450	2	103		
BALLAST-FLUORESCENT	065764-27	1	103		
+SOCKET-FLUORESCENT LAMP	045443	1	103		
+CLIP-FLUORESCENT LAMP	045444	1	103		
+BULB-LIGHT-FLUORESCENT-U SHAPE	045445	1	000	GE #F27BXSPX41	
+BRACKET-LIGHT	052243	1	103		
+PLATE-STOP-LIGHT	052244	1	103		
BEARING-FRONT	013116	2	000		
BEARING-GUIDE	014496	2	000		
BEARING-REAR SHELL *PLASTIC*	032511	2	000		
+GUIDE-DRIP SEAL	028992	2	000		
+NUT-BRASS BEARING	028991	2	000		
+WASHER-BEARING LOCK	012864	2	000		
BEATER A-4QT-1 PIN-SUPPORT	X49490	2	103	S/N K8068046 & UP - REPLACES X51800	
+BLADE-SCRAPER-PLASTIC 9-13/16L	046237	2	000		
+CLIP-SCRAPER BLADE 8.75 INCH	046238	2	103		
BELT-V-4L510 (LONG)	015192	1	000	RIGHT - FACING FRONT OF MACHINE	
BELT-V-4L320 (SHORT)	023862	1	000	LEFT - FACING FRONT OF MACHINE	
BLOCK-TERMINAL 2P .25 SPADE	051644	1	103		
BLOCK-TERMINAL-5 POLE	024329	2	103		
BLOCK-TERMINAL-2 POLE	039422	1	103		
BLOCK-TERMINAL-PLUG 7P .2 SIP	040322-003	2	103		
BLOCK-TERMINAL-PLUG 8P .2 SIP	040322-004	2	103		
BRUSH-REAR BRG 1IN.DX2IN.LGX14	013071	1	000		
BRUSH-DOUBLE ENDED-PUMP&FEED T	013072	1	000		
BRUSH-DRAW VALVE 1-1/2"OD X 3"	014753	1	000		
BRUSH-MIX PUMP BODY-3"X7"WHITE	023316	1	000		
BUSHING-SNAP 15/16 ID X 1-3/32	023396	2	103		

+ Available Separately

DESCRIPTION	PART NUMBER	QTY.	WARR. CLASS	REMARKS	PARTS UPDATE
BUSHING-SNAP 11/16 ID X 7/8OD	010548	1	103		
COMPRESSOR L61B562BBCB (BRISTOL)	048727-27E	1	512	208-230/60/1	
+CAPACITOR-RUN 30UF/370V	038487	1	103	208-230/60/1	
+CAPACITOR-START-161-193UF/250V	031790	1	103	208-230/60/1	
+RELAY-START-COMPRESSOR	047067	1	103	208-230/60/1	
CONDENSER-AC-15LX14HX2.59T-3ROW	046558	1	103		
COUPLING-3/8FS X 1/4FS	031791	1	103	LINE A.-DISCHARGE	
COVER A.-HOPPER *432*	X52452	2	103		
DECAL-INST-CLN HPR	019029	1	000		
DECAL-TROUBLESHOOT	038374	1	000		
DECAL-DEC-TAYLOR DOMED	053761	1	000		
DECAL-STATIC CLING 432 SET/5	056780	1	000		
DECAL-SWITCH CONTROL-OFF/ON	042941	1	000		
DIAGRAM-WIRING*432*	052145-27	1	000	208-230V 60HZ 1PH	
DOOR A.-PARTIAL *340-350-450	X39248	2	103		
+BUSTER-ICE	047735	2	103		
+HANDLE A.-DRAW-SLUSH-BLACK	X47384	2	103		
+PIN A.-VALVE HANDLE	X25929	2	103		
+VALVE-DRAW *SLUSH* ICE BUSTE	047734	2	103		
+O-RING-1"OD X .139W	032504	4	000		
DRYER-FILTER 3/8 X 3/8 SOLDER	049154	1	000	LIQUID LINE DRY/SOL	
FASTENER-CLIP 10-32 U-TYPE CR3	064719	4	103		
FILTER-CORCOM 2VR1	032567	2	103		
GASKET-BASE PAN *432*	052377	1	000		
+SCREW-10X7/16 UNSL TD HWH	066234	11	000	BASE PAN GASKET	
GASKET-DOOR 5.109"ID X 5.630OD	014030	2	000		
GASKET-FRONT PANEL	049031	2	000		
GEAR A.*REDUCER 4-92:1 SERVICE	015985-SER	2	212		
GUIDE A.-DRIP PAN *432*	X52352	2	103		
KIT A.-TUNE UP*SLUSH*	X39969	2	000		
BEARING-FRONT	013116	2	000		
BEARING-GUIDE	014496	2	000		
GASKET-DOOR 5.109"ID X 5.630	014030	2	000		

+ Available Separately

DESCRIPTION	PART NUMBER	QTY.	WARR. CLASS	REMARKS	PARTS UPDATE
O-RING-.291 ID X .080W	018550	2	000		
O-RING-7/8 OD X .139W	025307	2	000		
O-RING-1"OD X .139W	032504	4	000		
SEAL-DRIVE SHAFT	032560	2	000		
TOOL-O-RING REMOVAL-FREEZER	048260-WHT	2	000		
LABEL-CAUTION-GRD-PERM-ENG/SP	032164	1	000		
LABEL-WARN-COVER	051433	6	000		
LABEL-SWITCH WASH/OFF/AUTO	014502	2	000		
LIGHT-AMBER-RECT-12VDC-ADD MIX	052486-02	2	103		
LIGHT-AMBER-RECT-12VDC-MIX OUT	052487-02	2	103		
LUBRICANT-TAYLOR 4 OZ.	047518	1	000		
MAN-OPER 432	053081-M	1	000		
MOTOR-1/4 HP	014477-27	2	212		
MOTOR-FAN 50 WATT	029770-27	1	103		
+FAN-5 BLADE 12" PUSH 22DEG CCW	049009	1	103		
NUT-STUD *345-346-349-355*	043666	8	103		
PAIL-10 QT.	013163	1	000		
PAN-DRIP 17-1/4"LONG	027504	2	103		
PANEL A.-UPPER FRONT *432	X66410			S/N K8068046 & UP - REPLACES 052360	
PANEL-FRONT *432* UPPER	052360	1	103	S/N K8068045 & PRIOR	
PANEL-FRONT *432* LOWER	052361	1	103		
PANEL-REAR	052363	1	103		
PANEL-SIDE *432*RIGHT*LOUVER	052527	1	103		
PANEL-SIDE-LEFT *432*	066396	1	103	S/N K8041973 & UP REPLACES 052362	
PCB A.-CONTROL *432*	X52420-SER	2	212	CONTROL	
CHIP-SOFTWARE 432 TORQUE	X40879	2	103		
PCB A.-CONTROL-TORQUE	X53507-SER	2	212		
PLATE A.-DEC *432* LIGHTED	X52357	1	103		
+LENS-DEC PLATE	052359	1	103		
PLUG-HOLE 7/8 DIA. BLACK	010077	1	000		
PROBE A.-MIX LOW	X52375	2	103	MIX LOW	
PROBE A.-MIX OUT-SQUARE HOLE	X41348	2	103	MIX OUT	
PULLEY-AK27-1/2	016190	2	103		

+ Available Separately

DESCRIPTION	PART NUMBER	QTY.	WARR. CLASS	REMARKS	PARTS UPDATE
PULLEY-AK49	051394	2	103		
RELAY-3 POLE-20A-208/240 50/60	012725-33	1	103	COMPRESSOR CONTACTOR (PRIMARY)	
RELAY-SPDT-30A-240V	032607-27	2	103	BEATER MOTOR	
RELAY-DPDT-20A-230V	026581-27	4	103	LATCHING/COMPRESSOR RELAY	
SANITIZER KAY-5 125 PACKETS	041082	1	000		
SCREW-10-32X3/8 UNSL HWH	039381	19	000		
SCREW-10X7/16 UNSL TD HWH	066234	11	000		
SCREW-6-32X3/8 SLTD BINDER	002201	9	000		
SCREW-10X3/8 SLOTTED HEX WSHR	015582	6	000		
SCREW-10-32X1/2 SLTD TRUSS	037734	19	000		
SCREW-10X3/8 SLOTTED HEX WSHR	015582	2	000		
SHAFT-BEATER *341-2 RFB*	035418	2	103		
+O-RING-7/8 OD X .139W	025307	2	000		
+SEAL-DRIVE SHAFT	032560	2	000		
SHELF-DRIP TRAY*382-384*	052065	1	103		
SHELL A.-INSULATED *432*	X54801-SER	1	512		
+STUD-NOSE CONE-5/16-18X5/16-18	013496	8	103		
+WASHER-FREEZER STUD *RD30*	049032	8	103		
SHIELD-SPLASH *380/1*	046851	1	103		
SHROUD-FAN	039023	1	103		
SWITCH A.-TORQUE *432*	X52233	2	103		
+ARM-TORQUE-CONTROL	052232	2	103		
BUSHING A.-TORQUE	X50399-SER	2	103		
SPRING-TORQUE*RED*	020232	2	103		
+BUSHING-ARM-TORQUE	049737	2	103		
+BUSHING-PIVOT-TORQUE ARM	049739	2	103		
BRACKET-ADJ.-TORQUE	052227	2	103		
ROD-SWITCH	052231	2	103		
SPRING-COMP.	025452	2	103		
E-RING 5/16	016422	2	000		
SWITCH-LEVER-SPDT-1A-125V	062022	2	103		
SWITCH-LEVER-SPDT-.1A-125V	074821	2	103		
SWITCH-PUSHBUTTON-SPST	016530	2	103		

+ Available Separately

DESCRIPTION	PART NUMBER	QTY.	WARR. CLASS	REMARKS	PARTS UPDATE
SWITCH-PRESSURE 440 PSI-SOLDER	048230	1	103		
SWITCH-TOGGLE-SPST 3/4HIP/250V	012626	1	103	LIGHT	
SWITCH-TOGGLE-3PDT	017184	2	103	WASH/OFF/AUTO	
TORQUE A. *430*	X50382	2	000		
+O-RING-.291 ID X .080W	018550	2	000		
TRAY A.-DRIP *383/384/432	X46848	1	103		
TUBE-CAPILLARY-9 FEET	020059	2	103		
+TEE-1/4S COPPER	003949	2	103		
TUBE-FEED-NON REVERS 3/8 HOLE	015176-9	2	103		
VALVE-ACCESS-1/4MFL X 3/8ODSDR	053565	2	103		
VALVE-EPR 1/4S	022665	2	103		
VALVE-EXP-AUTO-1/4S X1/4 FPT	046365	2	103		
+BOOT-VALVE-EXPANSION	050900	2	000		
VALVE-SOLENOID	043449-27	2	103	LIQUID LINE	
VALVE-SOLENOID	044982-27	2	103	SUCTION LINE	

DESCRIPTION	PART NUMBER	QTY.	WARR. CLASS	REMARKS	PARTS UPDATE
3 PHASE (043233F000 208-230V 60HZ 3PH) A/C-BRISTOL-R404A					
BLOCK-TERMINAL 3P L1,L2,L	039423	1	103		
COMPRESSOR L63B562DBLB	048727-33E	1	512		
DIAGRAM-WIRING *432*	052145-33	1	000		

+ Available Separately

GROUND FRAME SECURELY

NOTE: STATIC ELECTRICITY MAY CAUSE DAMAGE TO SOLID STATE COMPONENTS. ELIMINATE STATIC ELECTRICITY BY TOUCHING METAL PARTS OF THE UNIT BEFORE HANDLING SOLID STATE COMPONENTS.

TORQUE CONTROL	FUNCTION	JUMPER FACTORY INSTALLED
J2	PINS 1&2 NOT USED	NO
J2	PINS 3&4 NOT USED	NO
J2	4-DAY LOCKOUT ENABLE/INSTALL JUMPER TO ENABLE (REQUIRES OPTIONAL DOOR SWITCH)	NO

TABLE 1

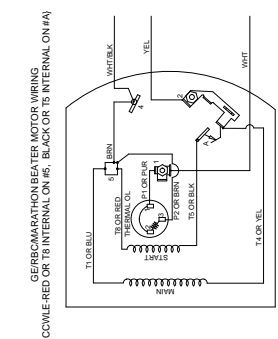
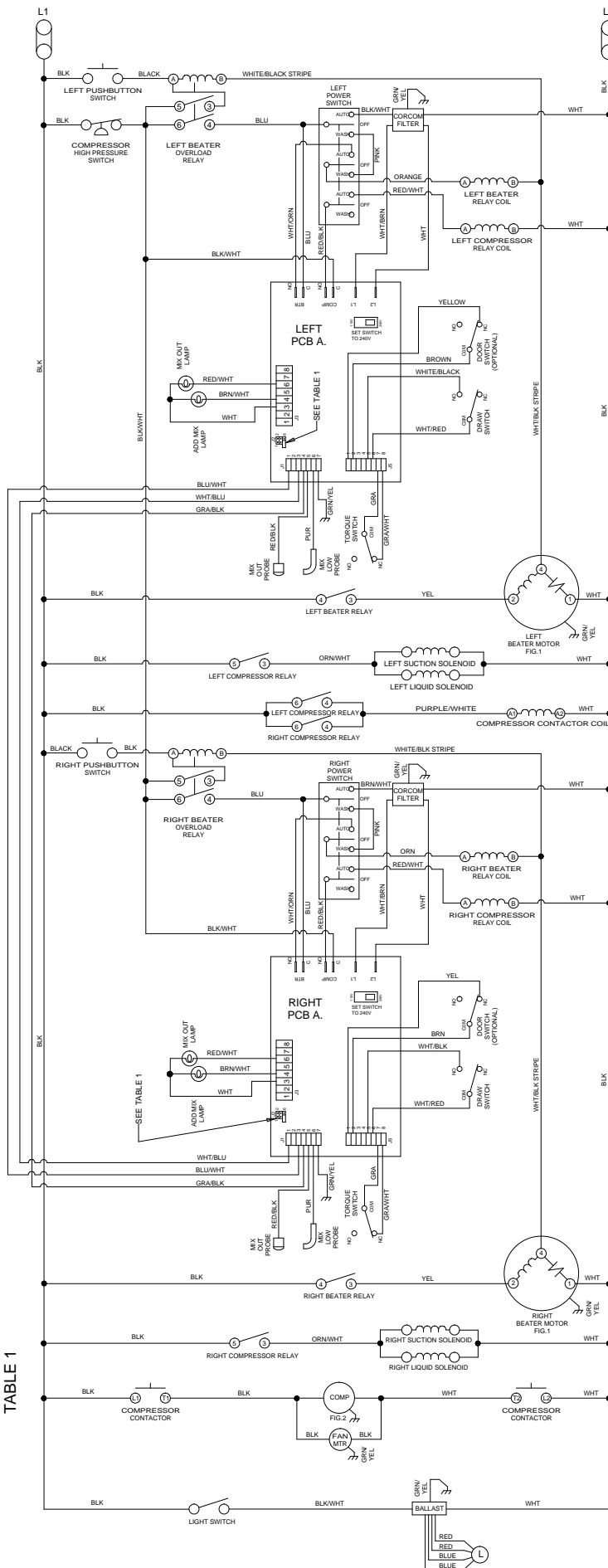


FIG. 1

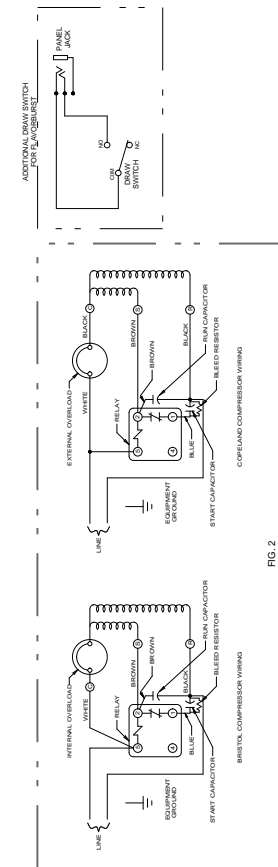
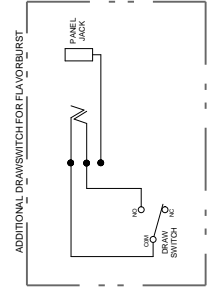
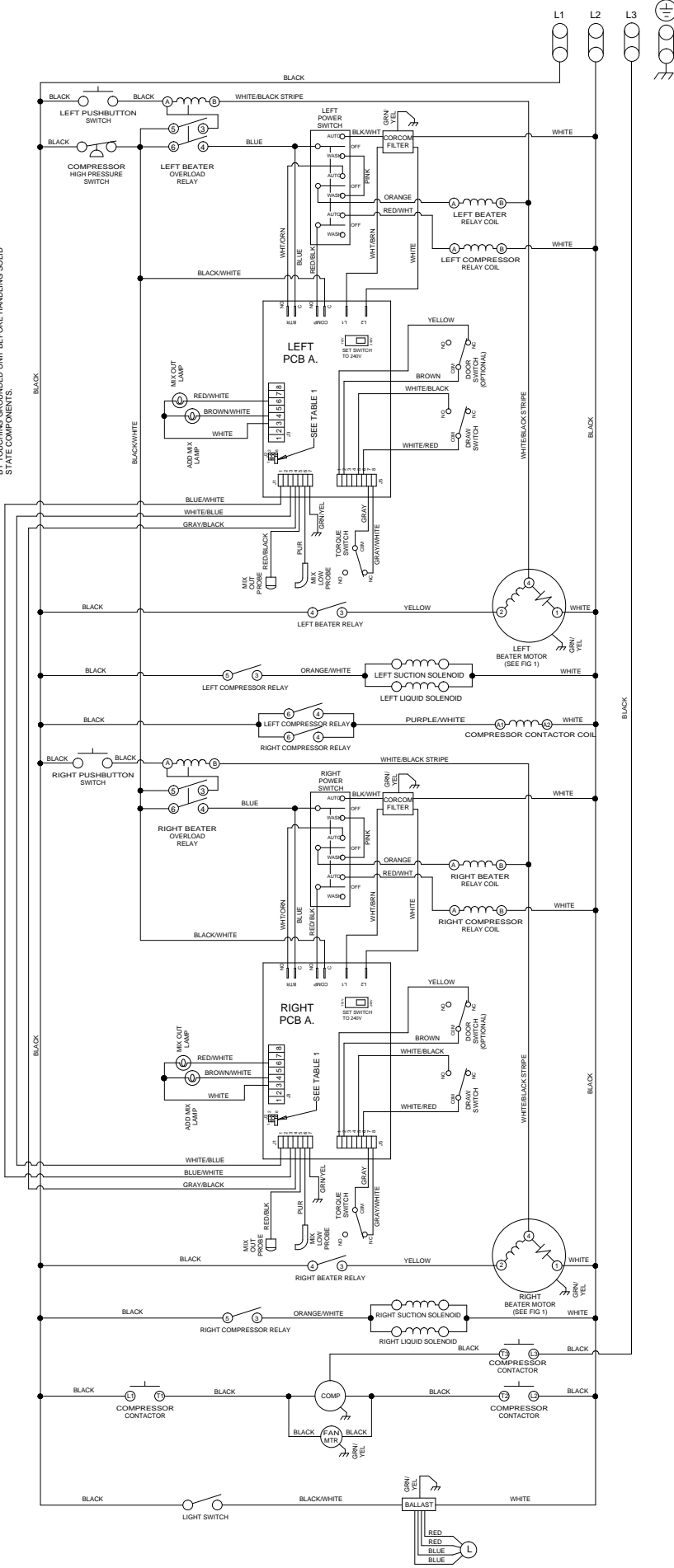


FIG. 2

GROUND FRAME SECURELY

COMPRESSOR PROTECTED UNDER PRIMARY SINGLE PHASING CONDITIONS.

NOTE: STATIC ELECTRICITY MAY CAUSE DAMAGE TO SOLID STATE COMPONENTS. DISCHARGE STATIC ELECTRICITY BY TOUCHING GROUNDING UNIT BEFORE HANDLING SOLID STATE COMPONENTS.



TORQUE CONTROL	J2	J2	J2
FUNCTION	NOT USED	NOT USED	4-DAY LOCKOUT FEATURE (INSTALL JUMPER TO ENABLE. (REQUIRES OPTIONAL DOOR SWITCH))
JUMPER FACTORY INSTALLED	NO	NO	NO

TABLE 1

GERBER/MARATHON BEATER MOTOR WIRING
COWLE-RED OR T5 INTERNAL ON #5, BLACK OR T5 INTERNAL ON #4)

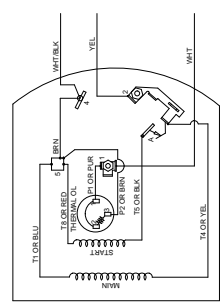


FIG. 1

GROUND FRAME SECURELY

NOTE: ELECTRICITY MAY CAUSE DAMAGE TO SOLID STATE COMPONENTS. ELIMINATE STATIC ELECTRICITY BY TOUCHING GROUNDING UNIT BEFORE HANDLING SOLID STATE COMPONENTS.

TORQUE CONTROL	FUNCTION	JUMPER FACTORY INSTALLED
J2	PINS 1&2	NO
J2	PINS 3&4	NO
J2	PINS 5&6	NO

TABLE 1

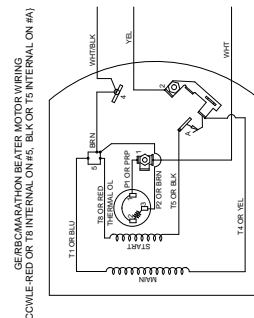
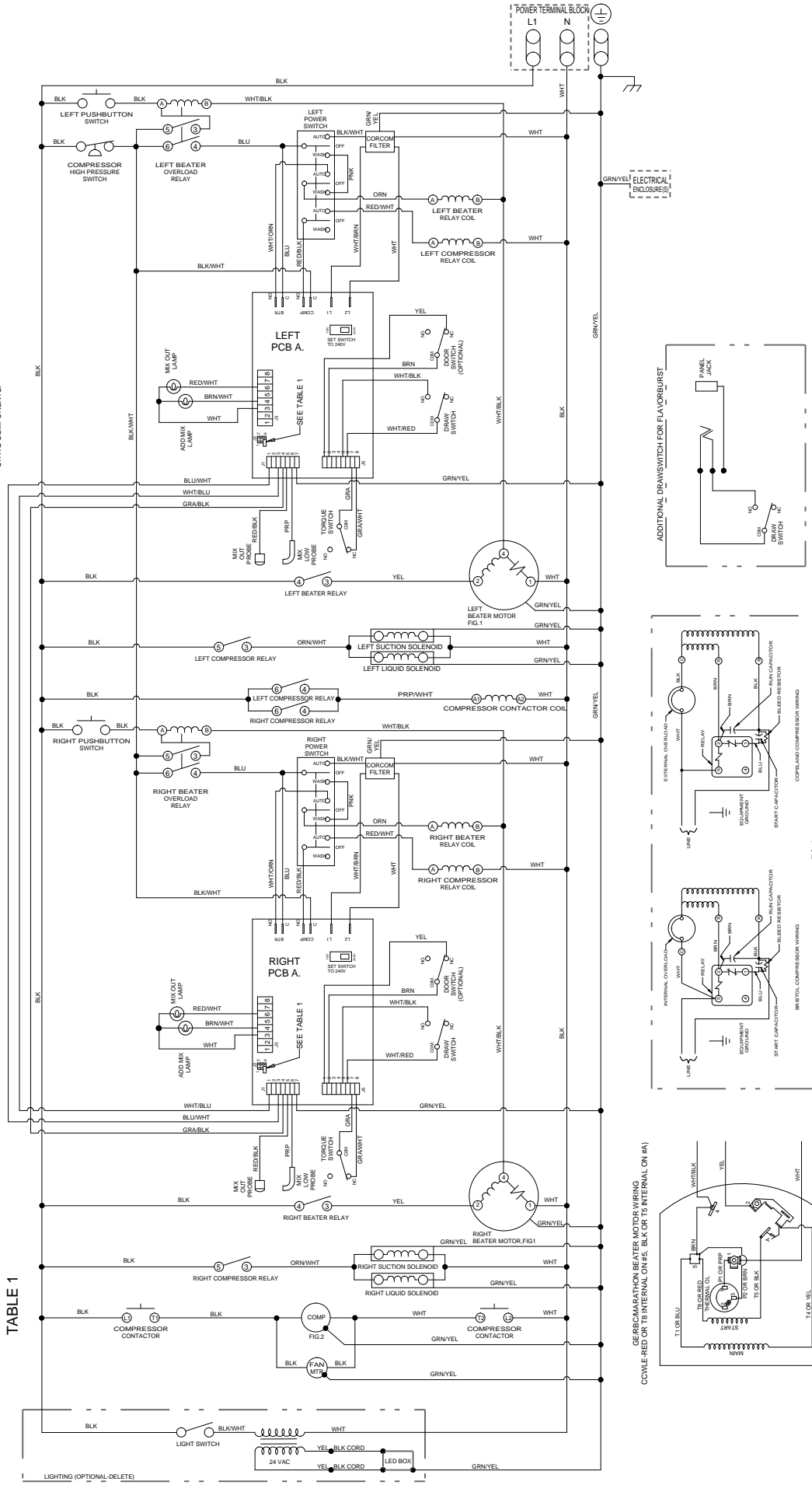


FIG. 1

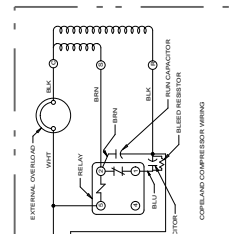
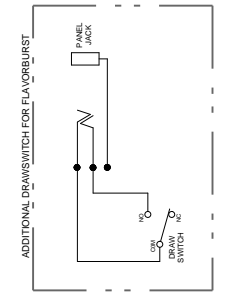


FIG. 2

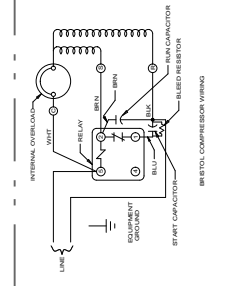


FIG. 3